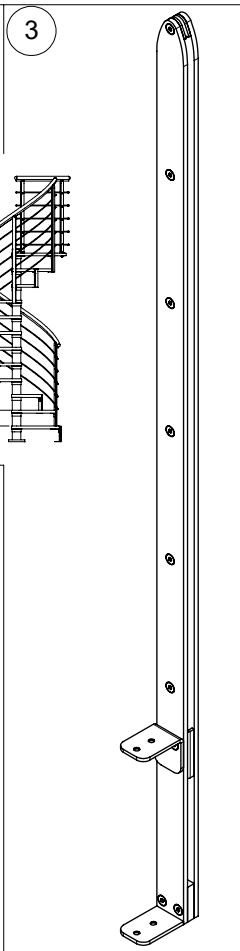
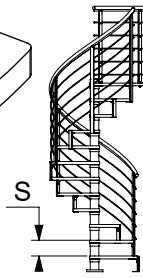
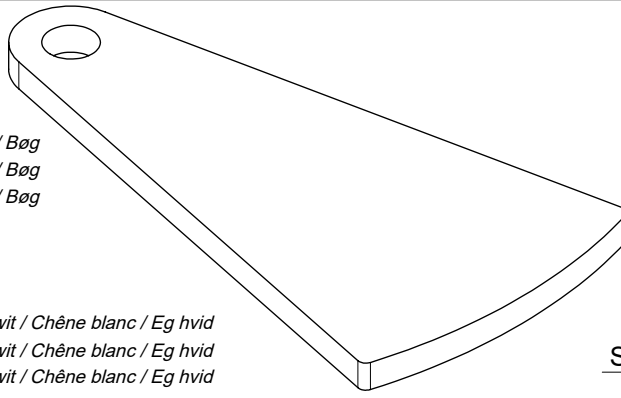


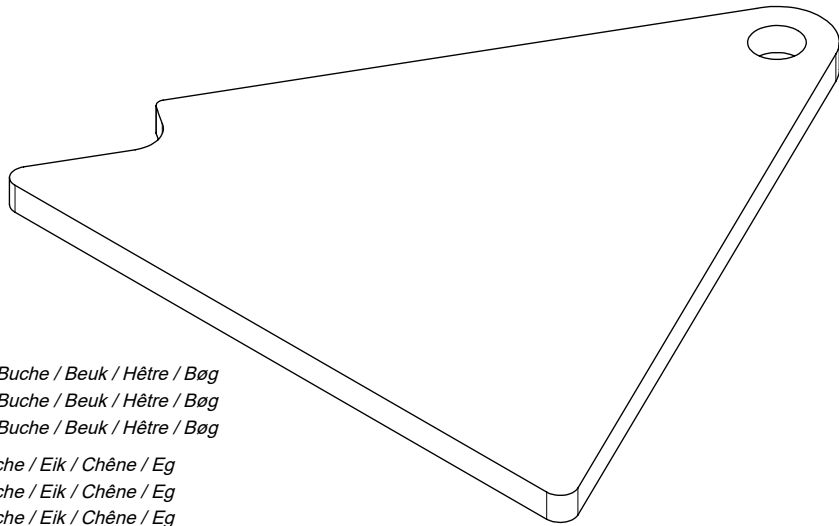
1	S	12	13	14	15
	x	11	12	13	14

- M2-1072002 Ø120cm - 38mm Beech / Buche / Beuk / Hêtre / Bøg
M2-1072012 Ø140cm - 38mm Beech / Buche / Beuk / Hêtre / Bøg
M2-1072022 Ø160cm - 38mm Beech / Buche / Beuk / Hêtre / Bøg
M2-1072032 Ø120cm - 38mm Oak / Eiche / Eik / Chêne / Eg
M2-1072042 Ø140cm - 38mm Oak / Eiche / Eik / Chêne / Eg
M2-1072052 Ø160cm - 38mm Oak / Eiche / Eik / Chêne / Eg
M2-1072062 Ø120cm - 38mm Oak white / Eiche weiss / Eik wit / Chêne blanc / Eg hvid
M2-1072072 Ø140cm - 38mm Oak white / Eiche weiss / Eik wit / Chêne blanc / Eg hvid
M2-1072082 Ø160cm - 38mm Oak white / Eiche weiss / Eik wit / Chêne blanc / Eg hvid
K1-71832 Ø120cm - 35mm Oak multiplex / Eiche multiplex / Eik multiplex / Chêne multiplex / Eg multiplex
K1-71834 Ø140cm - 35mm Oak multiplex / Eiche multiplex / Eik multiplex / Chêne multiplex / Eg multiplex



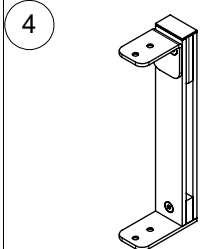
2 x 1

- M2-1072001 Ø120cm - 38mm Beech / Buche / Beuk / Hêtre / Bøg
M2-1072011 Ø140cm - 38mm Beech / Buche / Beuk / Hêtre / Bøg
M2-1072021 Ø160cm - 38mm Beech / Buche / Beuk / Hêtre / Bøg
M2-1072031 Ø120cm - 38mm Oak / Eiche / Eik / Chêne / Eg
M2-1072041 Ø140cm - 38mm Oak / Eiche / Eik / Chêne / Eg
M2-1072051 Ø160cm - 38mm Oak / Eiche / Eik / Chêne / Eg
M2-1072061 Ø120cm - 38mm Oak white / Eiche weiss / Eik wit / Chêne blanc / Eg hvid
M2-1072071 Ø140cm - 38mm Oak white / Eiche weiss / Eik wit / Chêne blanc / Eg hvid
M2-1072081 Ø160cm - 38mm Oak white / Eiche weiss / Eik wit / Chêne blanc / Eg hvid
K1-71833 Ø120cm - 35mm Oak multiplex / Eiche multiplex / Eik multiplex / Chêne multiplex / Eg multiplex
K1-71835 Ø140cm - 35mm Oak multiplex / Eiche multiplex / Eik multiplex / Chêne multiplex / Eg multiplex



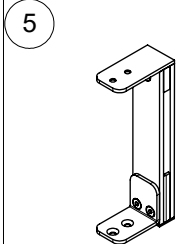
S	12	13	14	15
x	6	7	7	8

- K2-1072220 RAL 7016
K2-1072221 RAL 9005
K2-1072222 Pearl grey
K2-1072223 RAL 9016

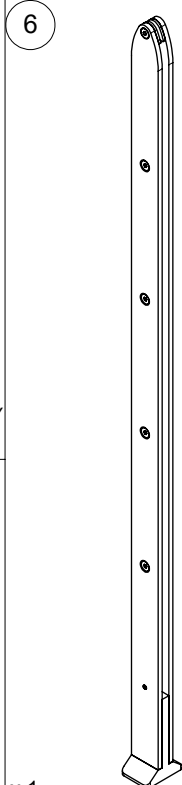


S	12	13	14	15
x	5	5	6	6

- K2-1072260 RAL 7016
K2-1072261 RAL 9005
K2-1072262 Pearl grey
K2-1072263 RAL 9016



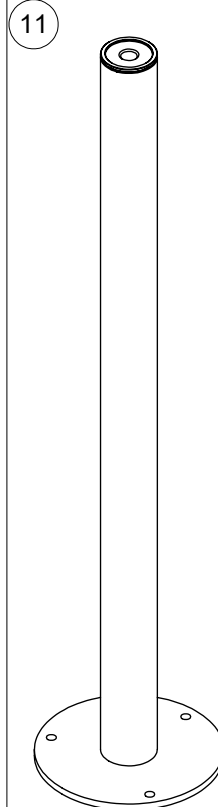
- x 1
K2-1072250 RAL 7016
K2-1072251 RAL 9005
K2-1072252 Pearl grey
K2-1072253 RAL 9016



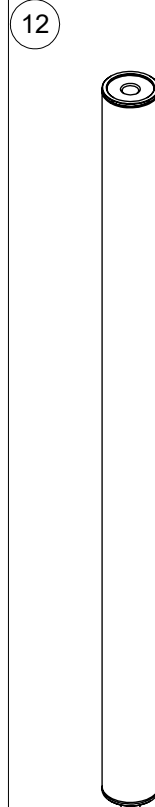
- x 1
K2-1077240 RAL 7016
K2-1077241 RAL 9005
K2-1077242 Pearl grey
K2-1072243 RAL 9016



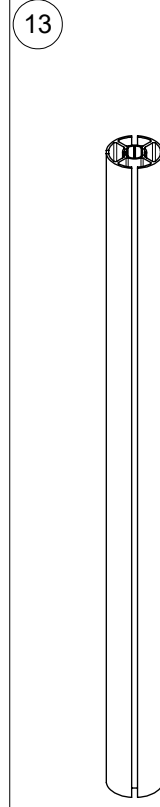
- x 1
K1-1077203
Ø10 / Ø45




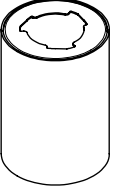
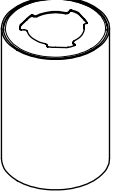
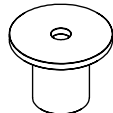
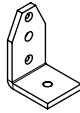
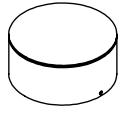
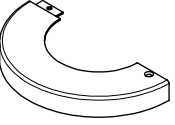
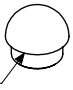

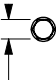
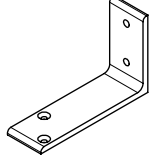
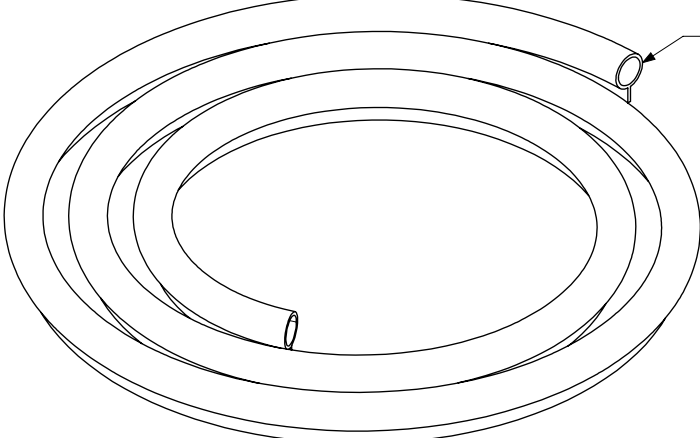
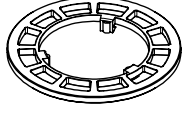
- x 1
K2-71010



- x 1
K2-71012



- x 1
K1-71000

<p>14</p> 	<p>15</p>  <p>161mm</p>	<p>16</p>  <p>169mm</p>	<p>17</p> 	<p>18</p> 	<p>19</p> 										
	<p>x 1 K2-71410 RAL 7016 K2-71610 RAL 9016 K2-1072010 RAL 9005 K2-1072110 Pearl grey</p>	<p>x 1 K2-72411 RAL 7016 K2-71611 RAL 9016 K2-1072011 RAL 9005 K2-1072111 Pearl grey</p>	<p>x 1 K2-71005</p>	<p>x 3 K1-1072265 RAL 7016 K1-1072266 RAL 9005 K1-1072267 Pearl grey K1-1072268 RAL 9016</p>	<p>x 1 K2-1072205 RAL 7016 K2-1072206 RAL 9005 K2-1072207 Pearl grey K2-1072208 RAL 9016</p>										
	<p>20</p> 	<p>21</p>  <p>Ø42mm</p>	<p>22</p>  <p>Ø42mm</p>	<p>23</p>  <p>13mm</p>	<p>24</p> 										
<p>x 1 K3-07013 M20 x 1170 mm</p>	<p>25</p>  <p>Ø42mm</p>														
<p>x 1 K1-71291 1,00 m - RAL 9006 K1-71299 1,15 m - RAL 9006 K1-29410 1,00 m - RAL 9016 K1-71699 1,15 m - RAL 9016</p>	<p>K1-39110 1,00 m - RAL 7016/9005 K1-71499 1,15 m - RAL 7016/9005</p>				<p>27</p>  <p>Ø42mm</p> <table border="1" data-bbox="1284 1724 1468 1792"> <tr> <td>S</td> <td>12</td> <td>13</td> <td>14</td> <td>15</td> </tr> <tr> <td>x</td> <td>72</td> <td>78</td> <td>84</td> <td>90</td> </tr> </table> <p>K1-71205 RAL 9006 K1-71405 RAL 7016 K1-71605 RAL 9016 K1-1066909 RAL 9005</p>	S	12	13	14	15	x	72	78	84	90
S	12	13	14	15											
x	72	78	84	90											

28

$\varnothing 10\text{mm}$

x 5
K1-71097 7 m

30

x 1
K1-71419 RAL 7016
K1-71619 RAL 9016
K1-1072119 Pearl grey
K1-1072019 RAL 9005

32

$\varnothing 10,2\text{mm}$

x 20
K1-71089

29

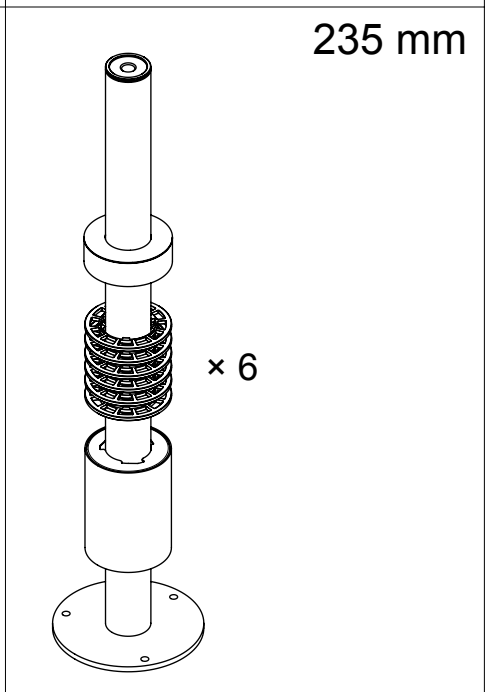
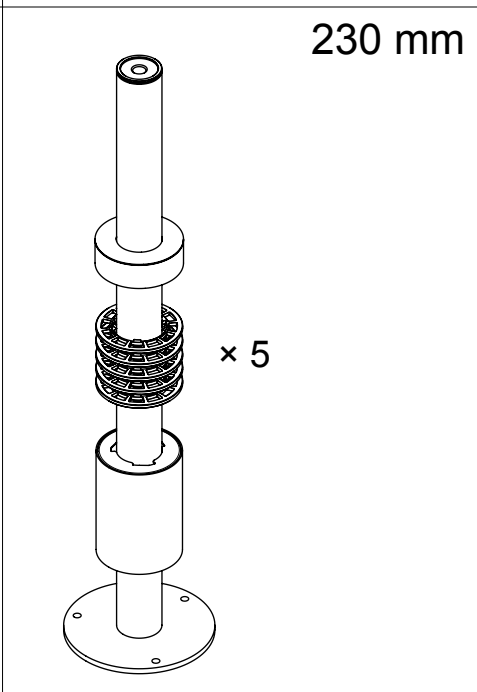
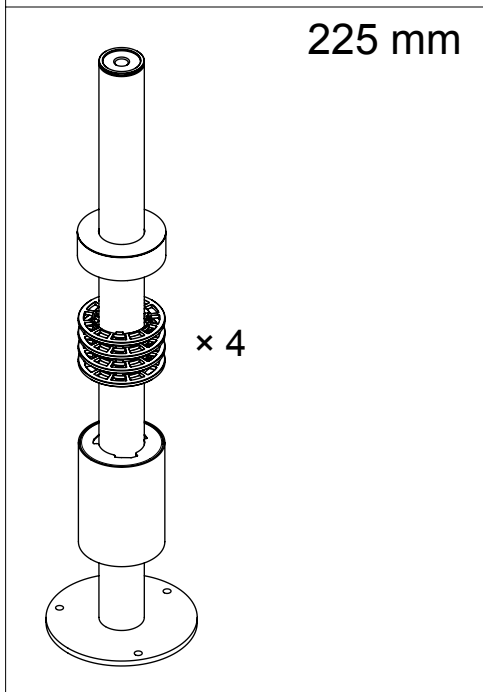
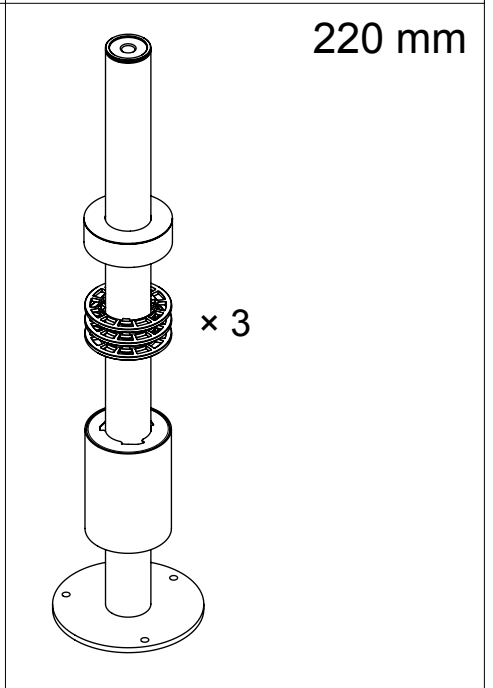
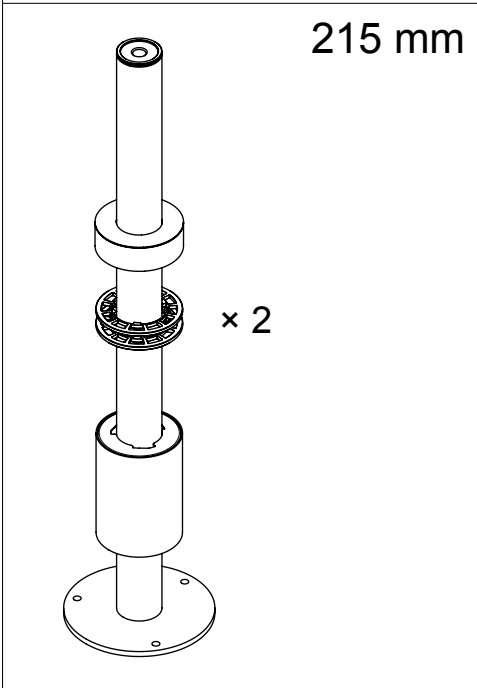
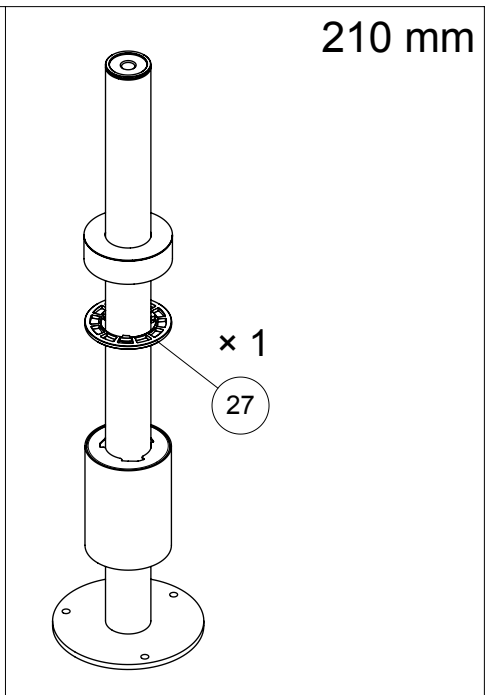
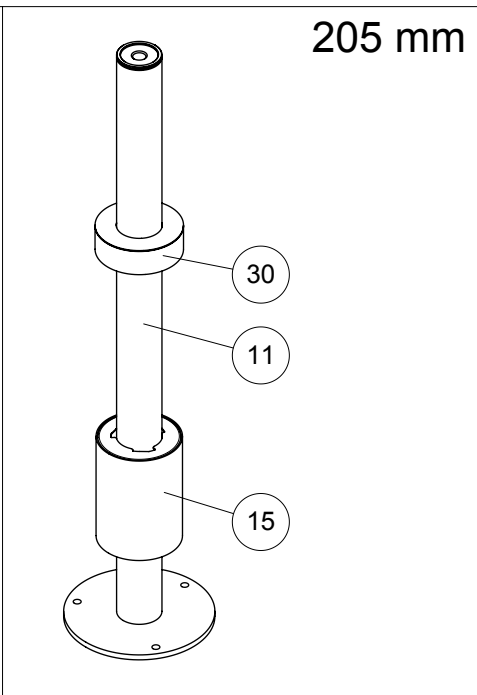
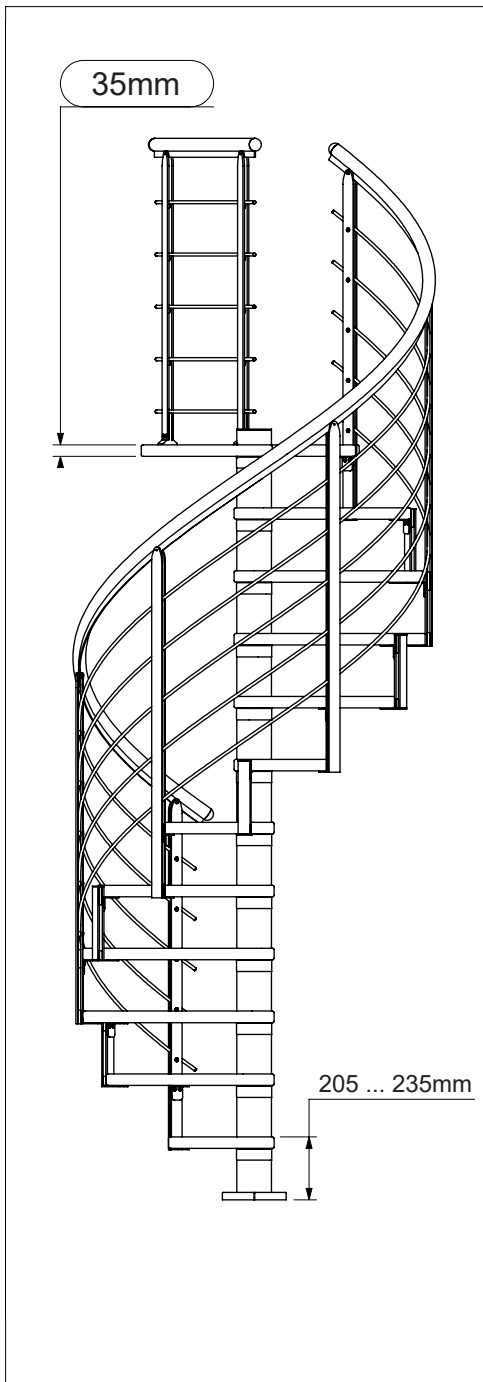
$\varnothing 10\text{mm}$

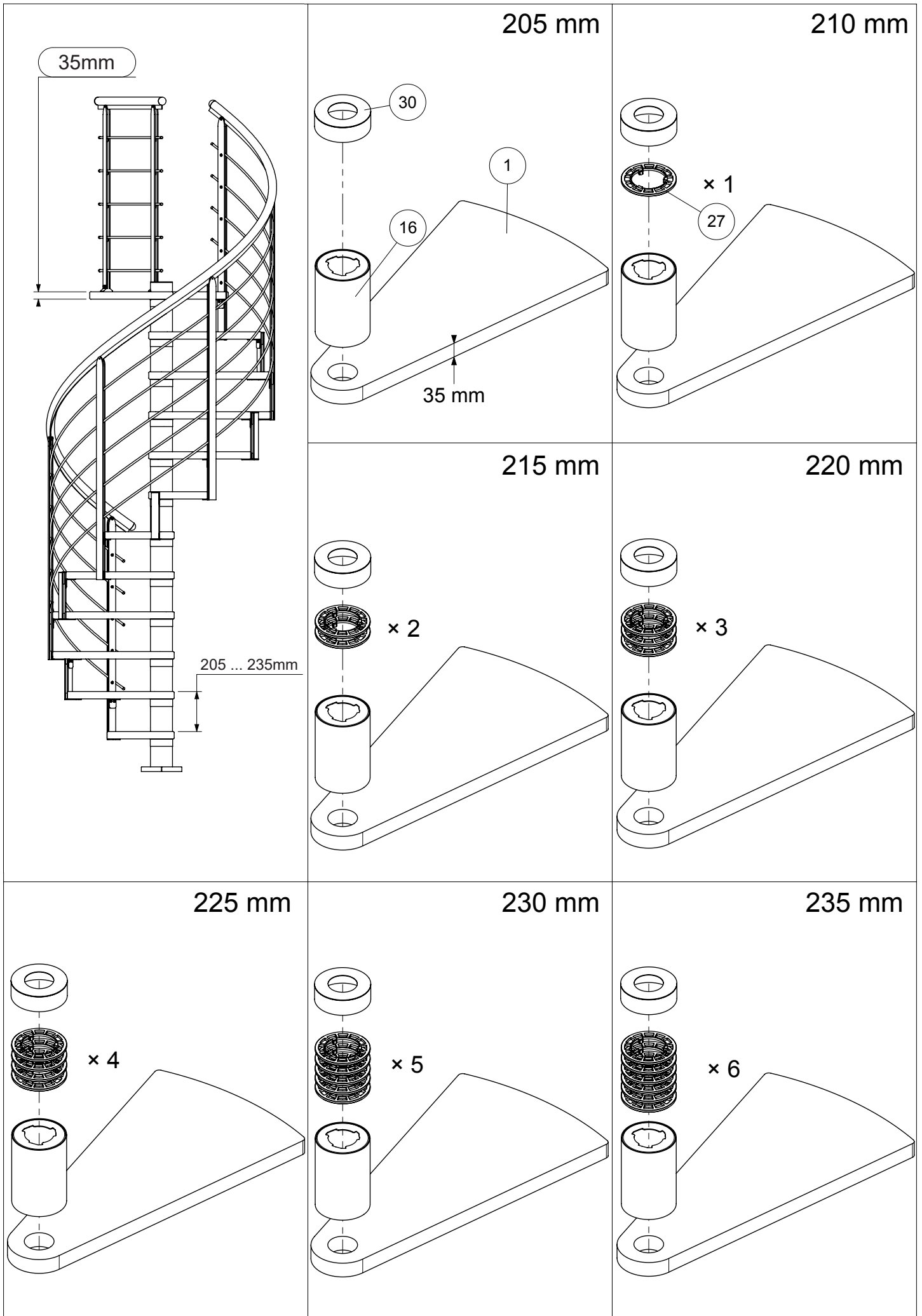
x 5
K1-71090 1 m

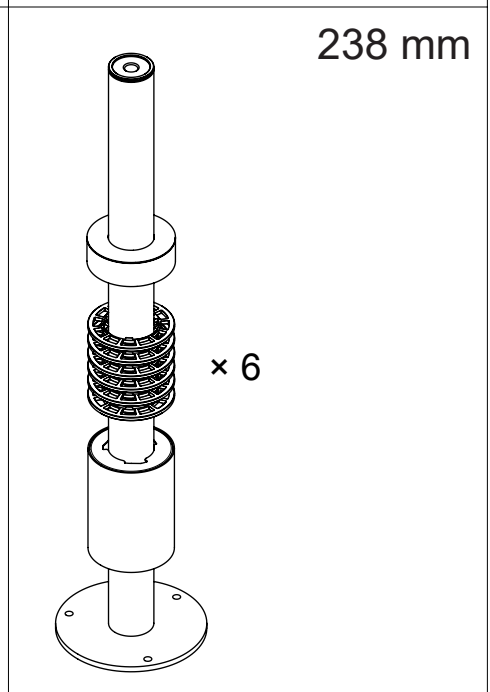
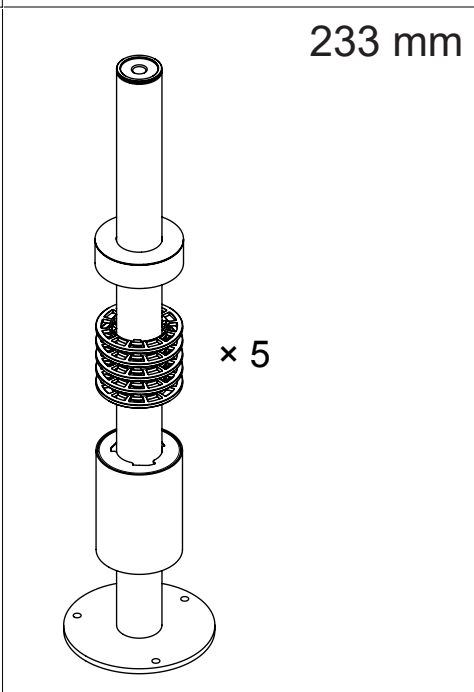
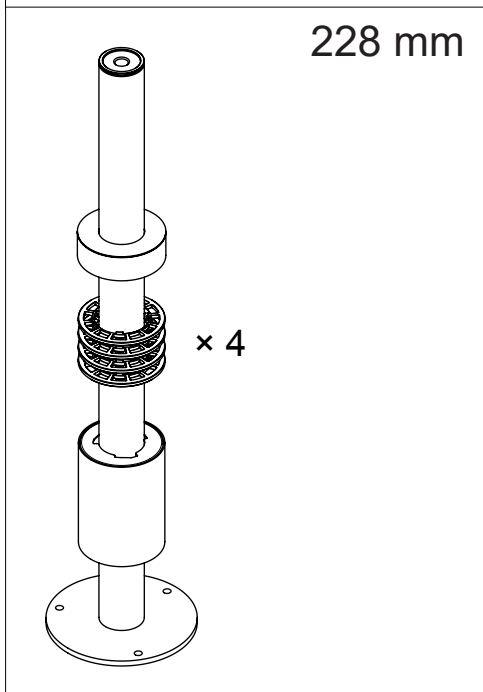
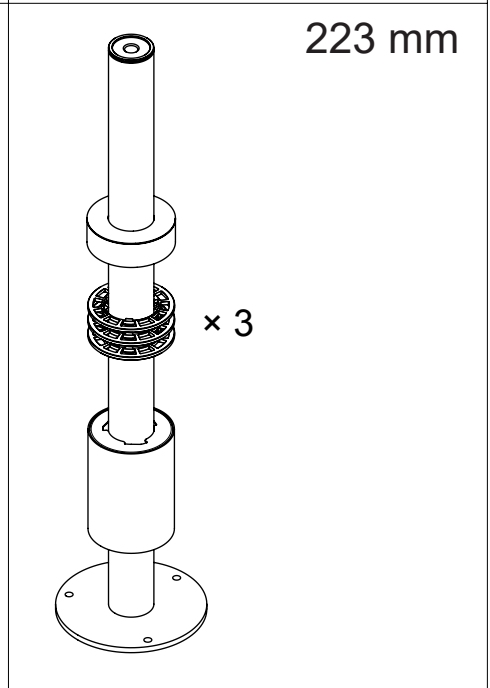
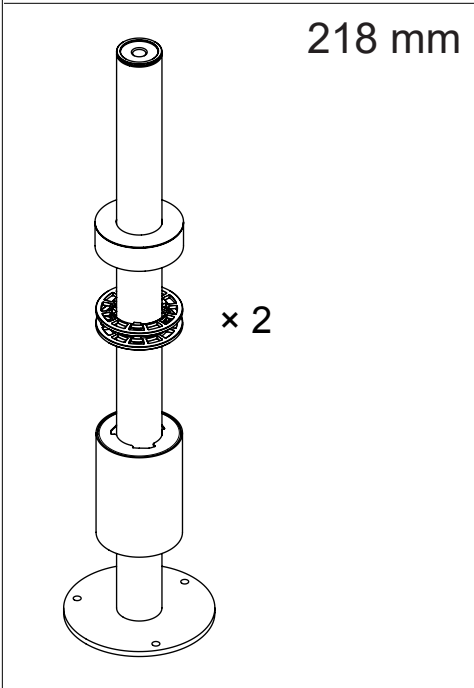
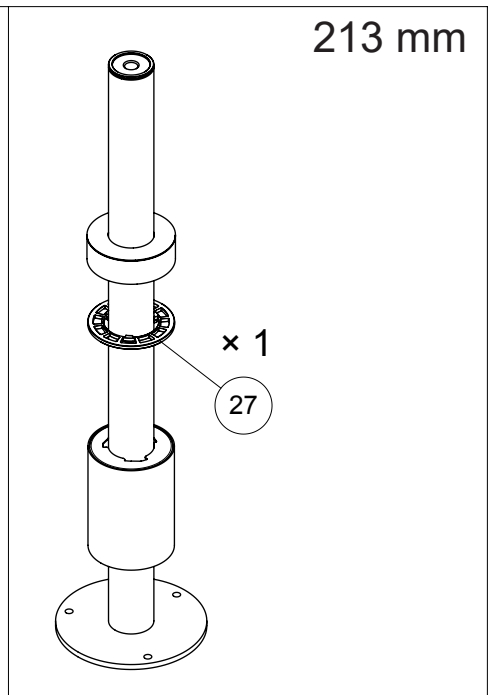
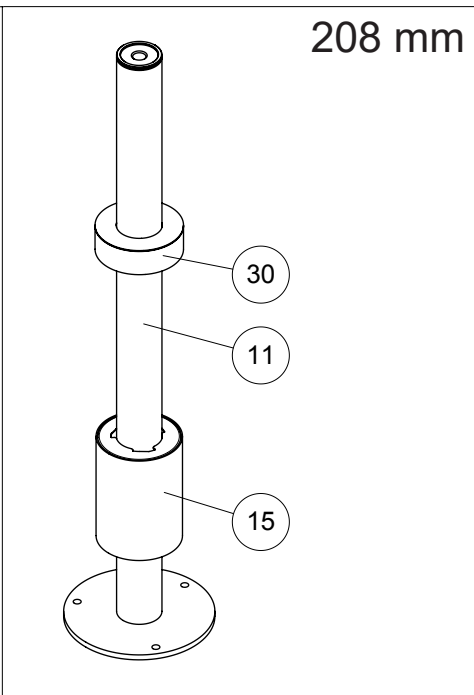
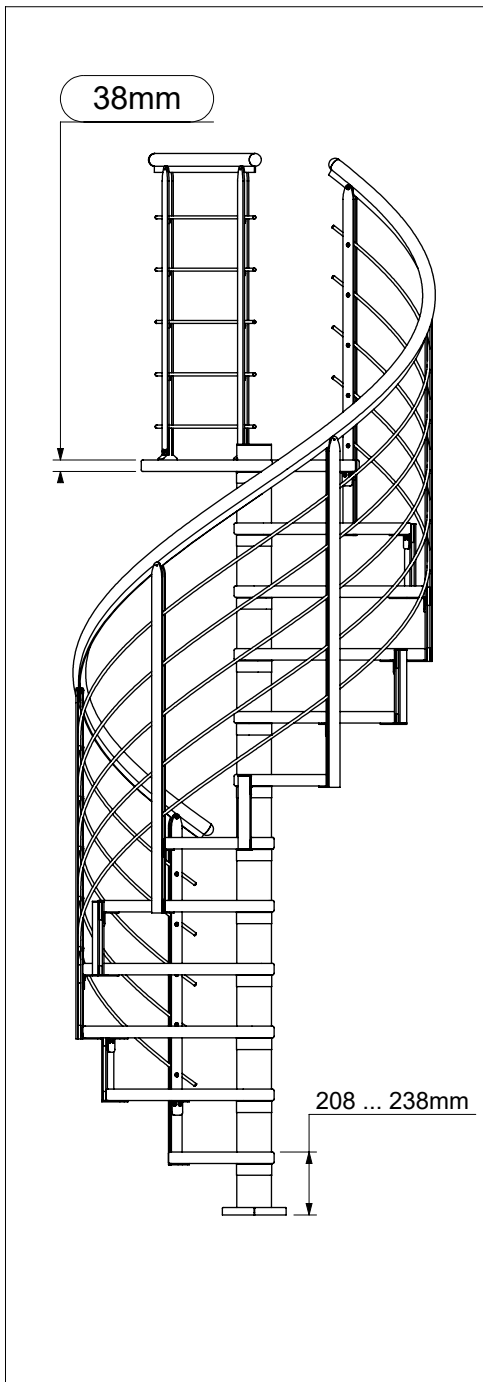
40 **OPTION**

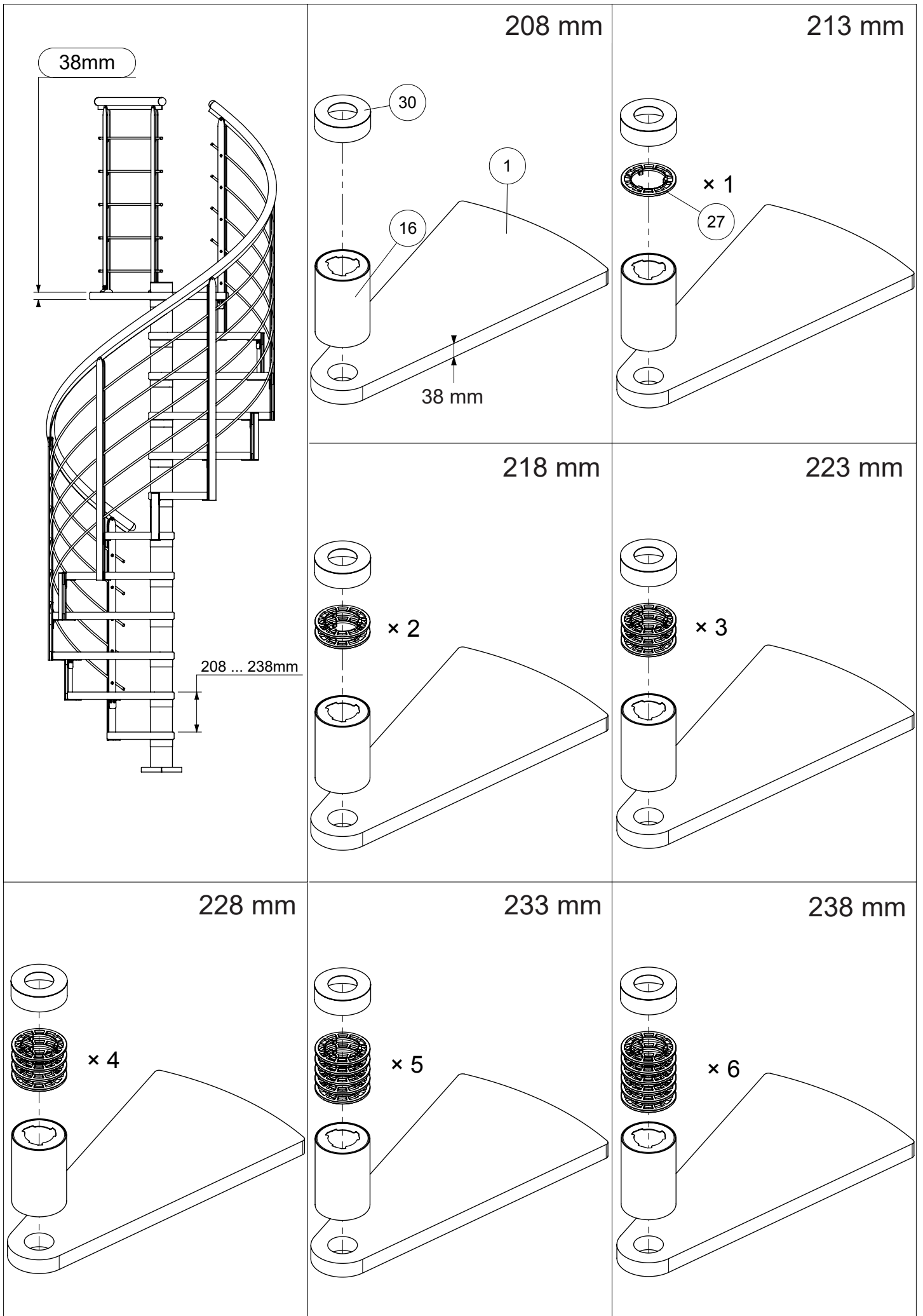
1071091

<p>50</p> <p>x 8 K3-06022 FZB/BZP K3-10126 RAL 9016 K3-10226 RAL 7016 K3-10405 RAL 9005 $\varnothing 5 \times 35$</p>	<p>51</p> <p>x 2 K3-06131 FZB/BZP K3-10101 RAL 9016 K3-10223 RAL 7016 K3-10403 RAL 9005 $\varnothing 6 \times 40$</p>										
<p>52</p> <table border="1" style="font-size: small;"> <tr><td>S</td><td>12</td><td>13</td><td>14</td><td>15</td></tr> <tr><td>x</td><td>46</td><td>54</td><td>62</td><td>70</td></tr> </table> <p>K3-06135 FZB/BZP K3-10127 RAL 9016 K3-10227 RAL 7016 K3-10427 RAL 9005 $\varnothing 6 \times 35$</p>	S	12	13	14	15	x	46	54	62	70	<p>53</p> <p>x 8 K3-04028 $\varnothing 8,4$</p>
S	12	13	14	15							
x	46	54	62	70							
<p>55</p> <p>x 8 K3-06015 M8 x 70</p>	<p>56</p> <p>x 1 K3-03024 M20</p>										
<p>59</p> <p>x 2 K3-02131 FZB/BZP K3-10131 RAL 9016 K3-10231 RAL 7016 K3-10441 RAL 9005 M4 x 10</p>	<p>57</p> <p>x 1 K3-04020 $\varnothing 20$</p>										
<p>62</p> <p>x 1 K3-04030 $\varnothing 10$</p>	<p>60</p> <p>x 2 K3-05105 M5 x 5</p>										
<p>63</p> <p>x 1 K3-02017 M10 x 60</p>	<p>58</p> <p>x 2 K3-08002 $\varnothing 8 \times 40$</p>										
<p>69</p> <p>x 1 R1-63272 $\varnothing 6 \times 25$</p>	<p>61</p> <p>x 1 K3-02139 M10 x 60</p>										
<p>70</p> <p>x 1 K3-90001</p>	<p>54</p> <p>x 8 K3-08004 $\varnothing 10 \times 60$</p>										

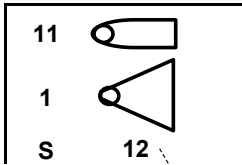




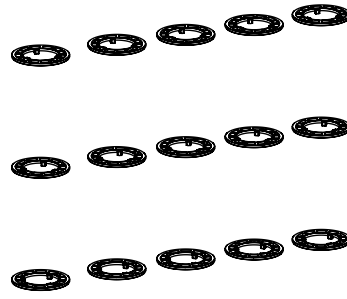




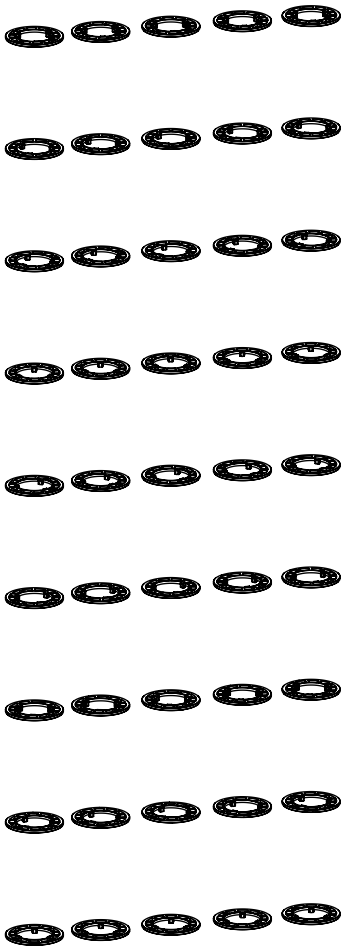
35 mm



N
0 ... 6 st (pcs)



N
0 ... 6 st (pcs)



N x S

5 st (pcs) x 12
= 60 st (pcs)

P
+1
st (pcs)

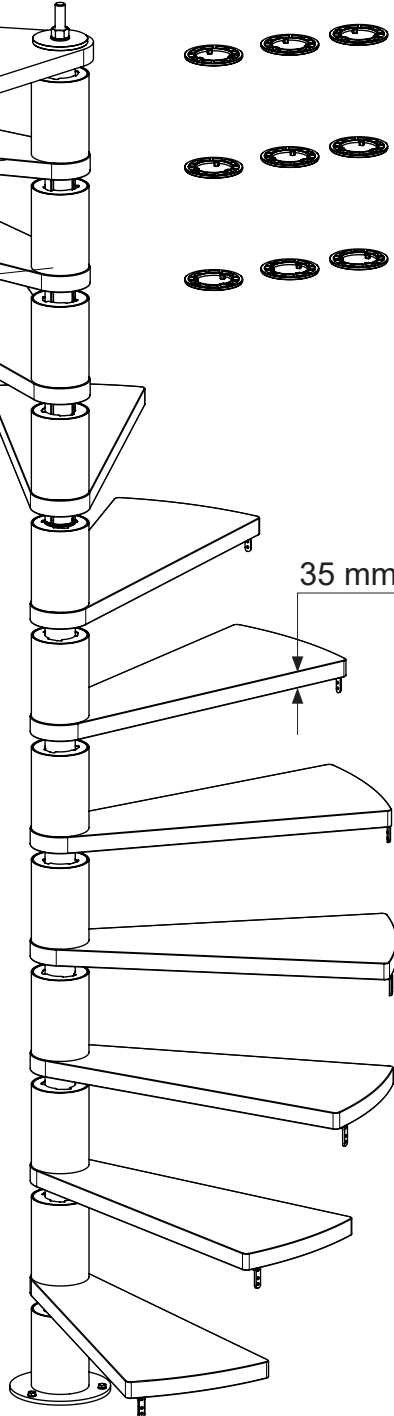


P

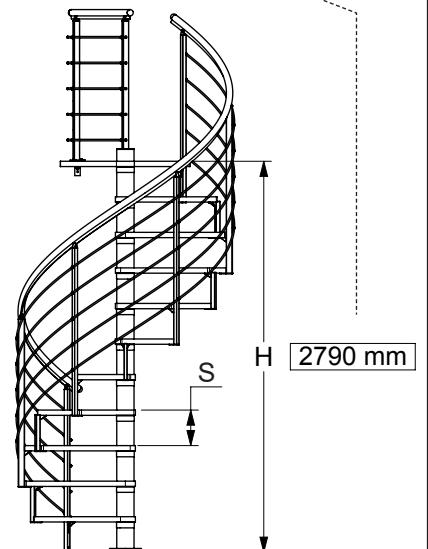
+6 st (pcs)

2770	5	2
2775	5	3
2780	5	4
2785	5	5
2790	5	6
2795	5	7
2800	5	8
2805	5	9
2810	5	10









35 mm



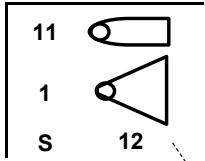
2770	5	2
2775	5	3
2780	5	4
2785	5	5
2790	5	6
2795	5	7
2800	5	8
2805	5	9
2810	5	10



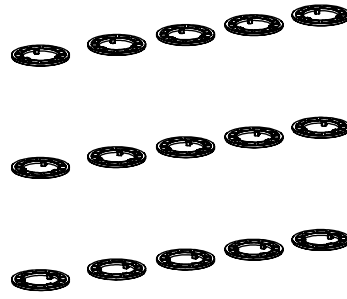
35 mm

11 			12 			13 			14 														
1 			1 			1 			1 														
S 12			S 13			S 14			S 15														
H	N	P	H	N	P	H	N	P	H	N	P	H	N	P	H	N	P	H	N	P			
mm	pcs	pcs	mm	pcs	pcs	mm	pcs	pcs	mm	pcs	pcs	mm	pcs	pcs	mm	pcs	pcs	mm	pcs	pcs	mm	pcs	pcs
2460	0	0	2645	3	1	2665	0	0	2865	3	1	2870	0	0	3085	3	1	3075	0	0	3305	3	1
2465	0	1	2650	3	2	2670	0	1	2870	3	2	2875	0	1	3090	3	2	3080	0	1	3310	3	2
2470	0	2	2655	3	3	2675	0	2	2875	3	3	2880	0	2	3095	3	3	3085	0	2	3315	3	3
2475	0	3	2660	3	4	2680	0	3	2880	3	4	2885	0	3	3100	3	4	3090	0	3	3320	3	4
2480	0	4	2665	3	5	2685	0	4	2885	3	5	2890	0	4	3105	3	5	3095	0	4	3325	3	5
2485	0	5	2670	3	6	2690	0	5	2890	3	6	2895	0	5	3110	3	6	3100	0	5	3330	3	6
2490	0	6	2675	3	7	2695	0	6	2895	3	7	2900	0	6	3115	3	7	3105	0	6	3335	3	7
2495	0	7	2680	3	8	2700	0	7	2900	3	8	2905	0	7	3120	3	8	3110	0	7	3340	3	8
2500	0	8	2685	3	9	2705	0	8	2905	3	9	2910	0	8	3125	3	9	3115	0	8	3345	3	9
2505	0	9	2690	3	10	2710	0	9	2910	3	10	2915	0	9	3130	3	10	3120	0	9	3350	3	10
2510	0	10	2695	3	11	2715	0	10	2915	3	11	2920	0	10	3135	3	11	3125	0	10	3355	3	11
2515	0	11	2700	4	0	2720	0	11	2920	3	12	2925	0	11	3140	3	12	3130	0	11	3360	3	12
2520	1	0	2705	4	1	2725	0	12	2925	4	0	2930	0	12	3145	3	13	3135	0	12	3365	3	13
2525	1	1	2710	4	2	2730	1	0	2930	4	1	2935	0	13	3150	4	0	3140	0	13	3370	3	14
2530	1	2	2715	4	3	2735	1	1	2935	4	2	2940	1	0	3155	4	1	3145	0	14	3375	4	0
2535	1	3	2720	4	4	2740	1	2	2940	4	3	2945	1	1	3160	4	2	3150	1	0	3380	4	1
2540	1	4	2725	4	5	2745	1	3	2945	4	4	2950	1	2	3165	4	3	3155	1	1	3385	4	2
2545	1	5	2730	4	6	2750	1	4	2950	4	5	2955	1	3	3170	4	4	3160	1	2	3390	4	3
2550	1	6	2735	4	7	2755	1	5	2955	4	6	2960	1	4	3175	4	5	3165	1	3	3395	4	4
2555	1	7	2740	4	8	2760	1	6	2960	4	7	2965	1	5	3180	4	6	3170	1	4	3400	4	5
2560	1	8	2745	4	9	2765	1	7	2965	4	8	2970	1	6	3185	4	7	3175	1	5	3405	4	6
2565	1	9	2750	4	10	2770	1	8	2970	4	9	2975	1	7	3190	4	8	3180	1	6	3410	4	7
2570	1	10	2755	4	11	2775	1	9	2975	4	10	2980	1	8	3195	4	9	3185	1	7	3415	4	8
2575	1	11	2760	5	0	2780	1	10	2980	4	11	2985	1	9	3200	4	10	3190	1	8	3420	4	9
2580	2	0	2765	5	1	2785	1	11	2985	4	12	2990	1	10	3205	4	11	3195	1	9	3425	4	10
2585	2	1	2770	5	2	2790	1	12	2990	5	0	2995	1	11	3210	4	12	3200	1	10	3430	4	11
2590	2	2	2775	5	3	2795	2	0	2995	5	1	3000	1	12	3215	4	13	3205	1	11	3435	4	12
2595	2	3	2780	5	4	2800	2	1	3000	5	2	3005	1	13	3220	5	0	3210	1	12	3440	4	13
2600	2	4	2785	5	5	2805	2	2	3005	5	3	3010	2	0	3225	5	1	3215	1	13	3445	4	14
2605	2	5	2790	5	6	2810	2	3	3010	5	4	3015	2	1	3230	5	2	3220	1	14	3450	5	0
2610	2	6	2795	5	7	2815	2	4	3015	5	5	3020	2	2	3235	5	3	3225	2	0	3455	5	1
2615	2	7	2800	5	8	2820	2	5	3020	5	6	3025	2	3	3240	5	4	3230	2	1	3460	5	2
2620	2	8	2805	5	9	2825	2	6	3025	5	7	3030	2	4	3245	5	5	3235	2	2	3465	5	3
2625	2	9	2810	5	10	2830	2	7	3030	5	8	3035	2	5	3250	5	6	3240	2	3	3470	5	4
2630	2	10	2815	5	11	2835	2	8	3035	5	9	3040	2	6	3255	5	7	3245	2	4	3475	5	5
2635	2	11	2820	6	0	2840	2	9	3040	5	10	3045	2	7	3260	5	8	3250	2	5	3480	5	6
2640	3	0				2845	2	10	3045	5	11	3050	2	8	3265	5	9	3255	2	6	3485	5	7
						2850	2	11	3050	5	12	3055	2	9	3270	5	10	3260	2	7	3490	5	8
						2855	2	12	3055	6	0	3060	2	10	3275	5	11	3265	2	8	3495	5	9
						2860	3	0				3065	2	11	3280	5	12	3270	2	9	3500	5	10
												3070	2	12	3285	5	13	3275	2	10	3505	5	11
												3075	2	13	3290	6	0	3280	2	11	3510	5	12
												3080	3	0				3285	2	12	3515	5	13
																		3290	2	13	3520	5	14
																		3295	2	14	3525	6	0
																		3300	3	0			

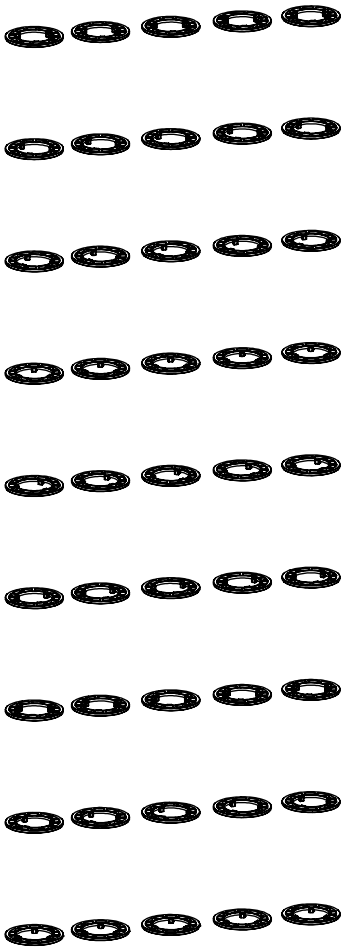
38 mm



N
0 ... 6 st (pcs)



N
0 ... 6 st (pcs)



N x S

5 st (pcs) x 12
= 60 st (pcs)

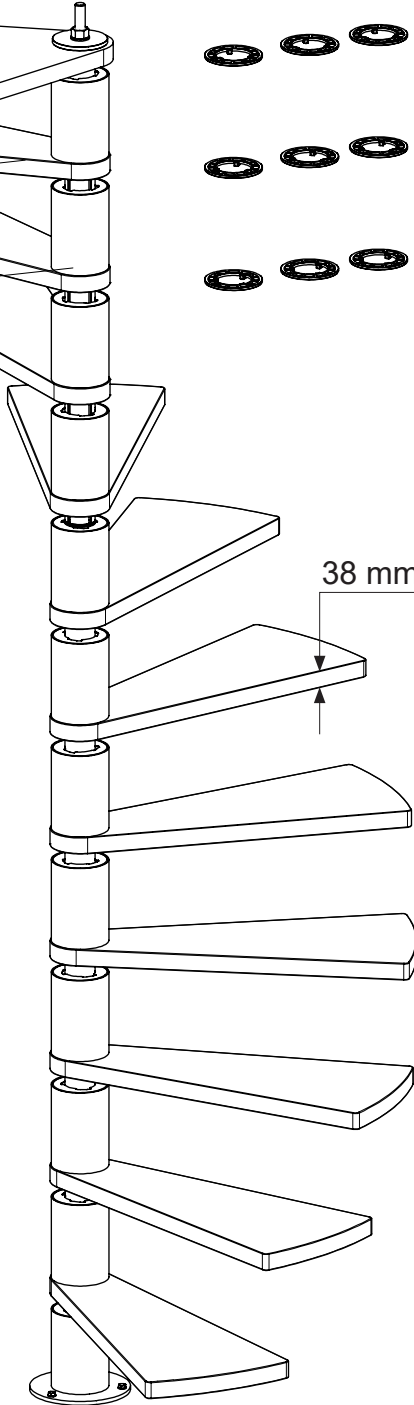
P
+1
st (pcs)



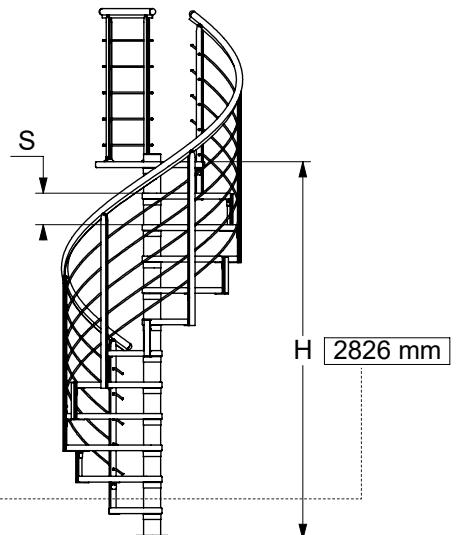
P

+6 st (pcs)

2816	5	4
2821	5	5
2826	5	6
2831	5	7
2836	5	8






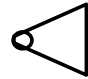
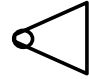
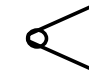

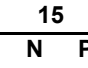


38 mm

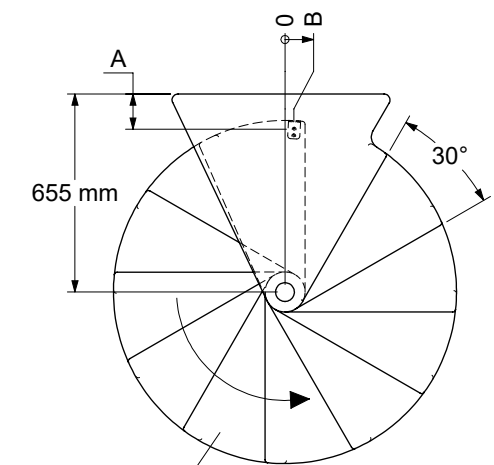


H 2826 mm

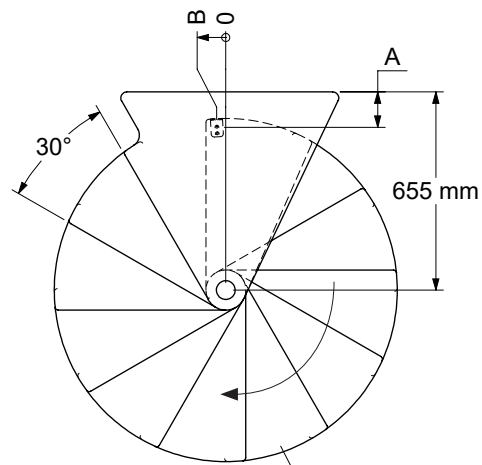
38 mm

11 			12 			13 			14 			15 											
1 			1 			1 			1 			1 											
H	N	P	H	N	P	H	N	P	H	N	P	H	N	P	H	N	P						
mm	pcs	pcs	mm	pcs	pcs	mm	pcs	pcs	mm	pcs	pcs	mm	pcs	pcs	mm	pcs	pcs						
2496	0	0	2681	3	1	2704	0	0	2904	3	1	2912	0	0	3127	3	1	3120	0	0	3350	3	1
2501	0	1	2686	3	2	2709	0	1	2909	3	2	2917	0	1	3132	3	2	3125	0	1	3355	3	2
2506	0	2	2691	3	3	2714	0	2	2914	3	3	2922	0	2	3137	3	3	3130	0	2	3360	3	3
2511	0	3	2696	3	4	2719	0	3	2919	3	4	2927	0	3	3142	3	4	3135	0	3	3365	3	4
2516	0	4	2701	3	5	2724	0	4	2924	3	5	2932	0	4	3147	3	5	3140	0	4	3370	3	5
2521	0	5	2706	3	6	2729	0	5	2929	3	6	2937	0	5	3152	3	6	3145	0	5	3375	3	6
2526	0	6	2711	3	7	2734	0	6	2934	3	7	2942	0	6	3157	3	7	3150	0	6	3380	3	7
2531	0	7	2716	3	8	2739	0	7	2939	3	8	2947	0	7	3162	3	8	3155	0	7	3385	3	8
2536	0	8	2721	3	9	2744	0	8	2944	3	9	2952	0	8	3167	3	9	3160	0	8	3390	3	9
2541	0	9	2726	3	10	2749	0	9	2949	3	10	2957	0	9	3172	3	10	3165	0	9	3395	3	10
2546	0	10	2731	3	11	2754	0	10	2954	3	11	2962	0	10	3177	3	11	3170	0	10	3400	3	11
2551	0	11	2736	4	0	2759	0	11	2959	3	12	2967	0	11	3182	3	12	3175	0	11	3405	3	12
2556	1	0	2741	4	1	2764	0	12	2964	4	0	2972	0	12	3187	3	13	3180	0	12	3410	3	13
2561	1	1	2746	4	2	2769	1	0	2969	4	1	2977	0	13	3192	4	0	3185	0	13	3415	3	14
2566	1	2	2751	4	3	2774	1	1	2974	4	2	2982	1	0	3197	4	1	3190	0	14	3420	4	0
2571	1	3	2756	4	4	2779	1	2	2979	4	3	2987	1	1	3202	4	2	3195	1	0	3425	4	1
2576	1	4	2761	4	5	2784	1	3	2984	4	4	2992	1	2	3207	4	3	3200	1	1	3430	4	2
2581	1	5	2766	4	6	2789	1	4	2989	4	5	2997	1	3	3212	4	4	3205	1	2	3435	4	3
2586	1	6	2771	4	7	2794	1	5	2994	4	6	3002	1	4	3217	4	5	3210	1	3	3440	4	4
2591	1	7	2776	4	8	2799	1	6	2999	4	7	3007	1	5	3222	4	6	3215	1	4	3445	4	5
2596	1	8	2781	4	9	2804	1	7	3004	4	8	3012	1	6	3227	4	7	3220	1	5	3450	4	6
2601	1	9	2786	4	10	2809	1	8	3009	4	9	3017	1	7	3232	4	8	3225	1	6	3455	4	7
2606	1	10	2791	4	11	2814	1	9	3014	4	10	3022	1	8	3237	4	9	3230	1	7	3460	4	8
2611	1	11	2796	5	0	2819	1	10	3019	4	11	3027	1	9	3242	4	10	3235	1	8	3465	4	9
2616	2	0	2801	5	1	2824	1	11	3024	4	12	3032	1	10	3247	4	11	3240	1	9	3470	4	10
2621	2	1	2806	5	2	2829	1	12	3029	5	0	3037	1	11	3252	4	12	3245	1	10	3475	4	11
2626	2	2	2811	5	3	2834	2	0	3034	5	1	3042	1	12	3257	4	13	3250	1	11	3480	4	12
2631	2	3	2816	5	4	2839	2	1	3039	5	2	3047	1	13	3262	5	0	3255	1	12	3485	4	13
2636	2	4	2821	5	5	2844	2	2	3044	5	3	3052	2	0	3267	5	1	3260	1	13	3490	4	14
2641	2	5	2826	5	6	2849	2	3	3049	5	4	3057	2	1	3272	5	2	3265	1	14	3495	5	0
2646	2	6	2831	5	7	2854	2	4	3054	5	5	3062	2	2	3277	5	3	3270	2	0	3500	5	1
2651	2	7	2836	5	8	2859	2	5	3059	5	6	3067	2	3	3282	5	4	3275	2	1	3505	5	2
2656	2	8	2841	5	9	2864	2	6	3064	5	7	3072	2	4	3287	5	5	3280	2	2	3510	5	3
2661	2	9	2846	5	10	2869	2	7	3069	5	8	3077	2	5	3292	5	6	3285	2	3	3515	5	4
2666	2	10	2851	5	11	2874	2	8	3074	5	9	3082	2	6	3297	5	7	3290	2	4	3520	5	5
2671	2	11	2856	6	0	2879	2	9	3079	5	10	3087	2	7	3302	5	8	3295	2	5	3525	5	6
2676	3	0				2884	2	10	3084	5	11	3092	2	8	3307	5	9	3300	2	6	3530	5	7
						2889	2	11	3089	5	12	3097	2	9	3312	5	10	3305	2	7	3535	5	8
						2894	2	12	3094	6	0	3102	2	10	3317	5	11	3310	2	8	3540	5	9
						2899	3	0				3107	2	11	3322	5	12	3315	2	9	3545	5	10
												3112	2	12	3327	5	13	3320	2	10	3550	5	11
												3117	2	13	3332	6	0	3325	2	11	3555	5	12
												3122	3	0				3330	2	12	3560	5	13
																		3335	2	13	3565	5	14
																		3340	2	14	3570	6	0
																		3345	3	0			

∅ 120 cm



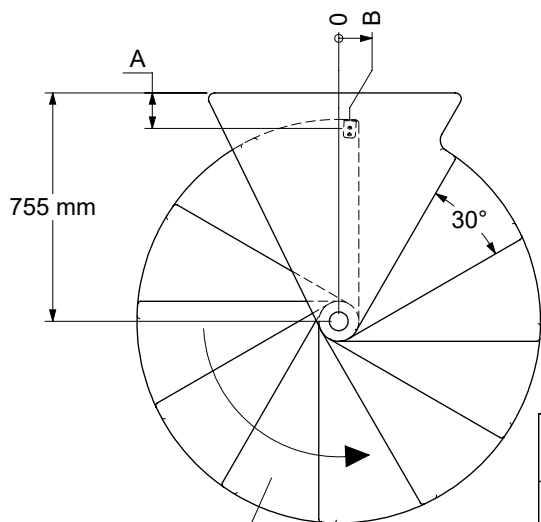
T: 11 ... 14 st/p



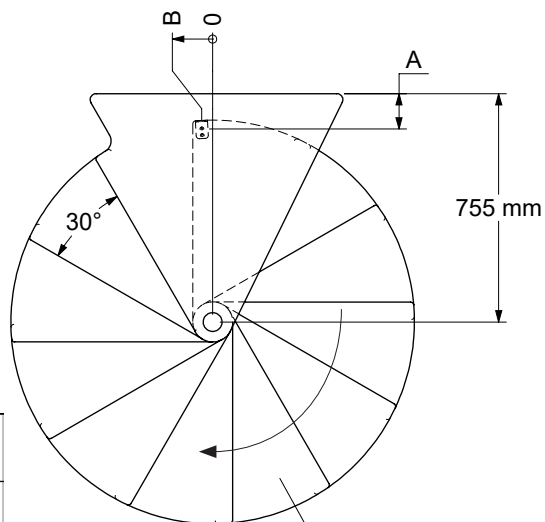
T: 11 ... 14 st/p

S	T	A	B
st/p	st/p	mm	mm
12	11	117	30
13	12	204	295
14	13	412	481
15	14	685	538

∅ 140 cm



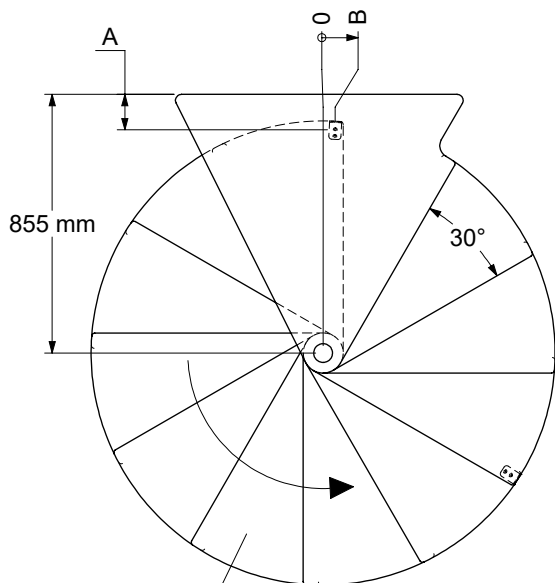
T: 11 ... 14 st/p



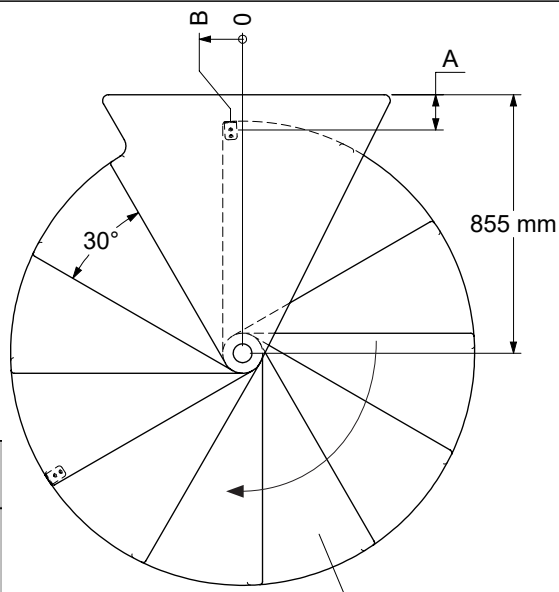
T: 11 ... 14 st/p

S	T	A	B
st/p	st/p	mm	mm
12	11	117	36
13	12	220	350
14	13	467	571
15	14	791	638

∅ 160 cm

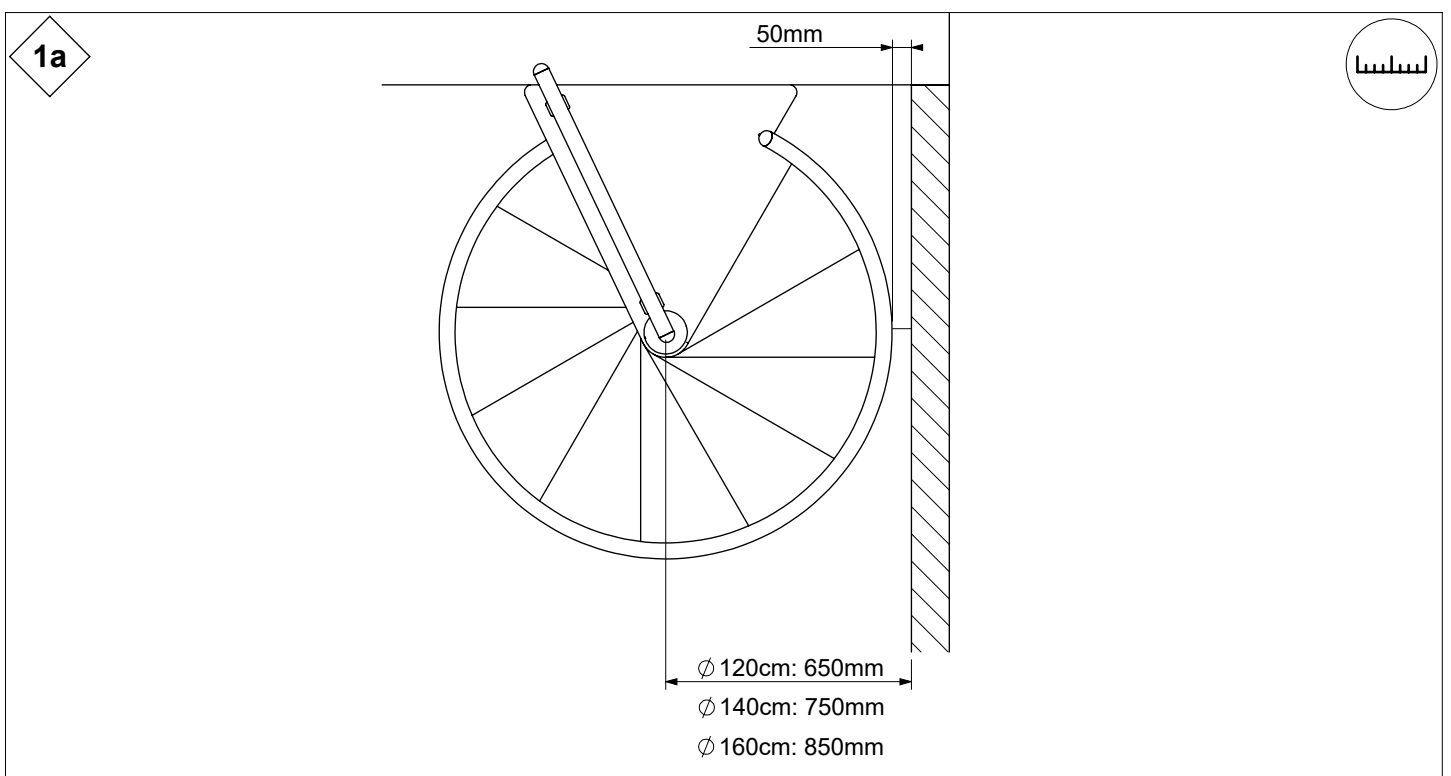
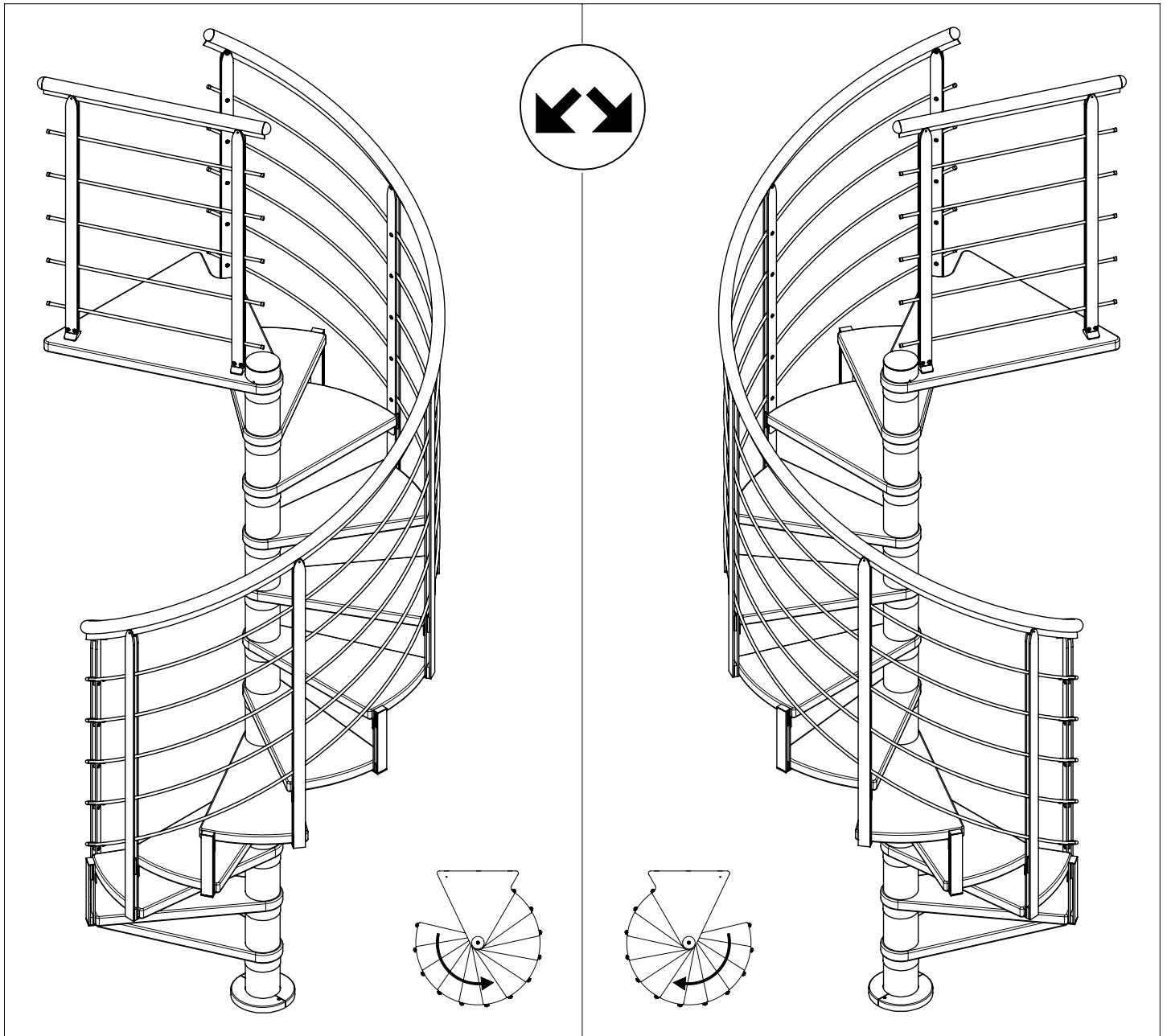


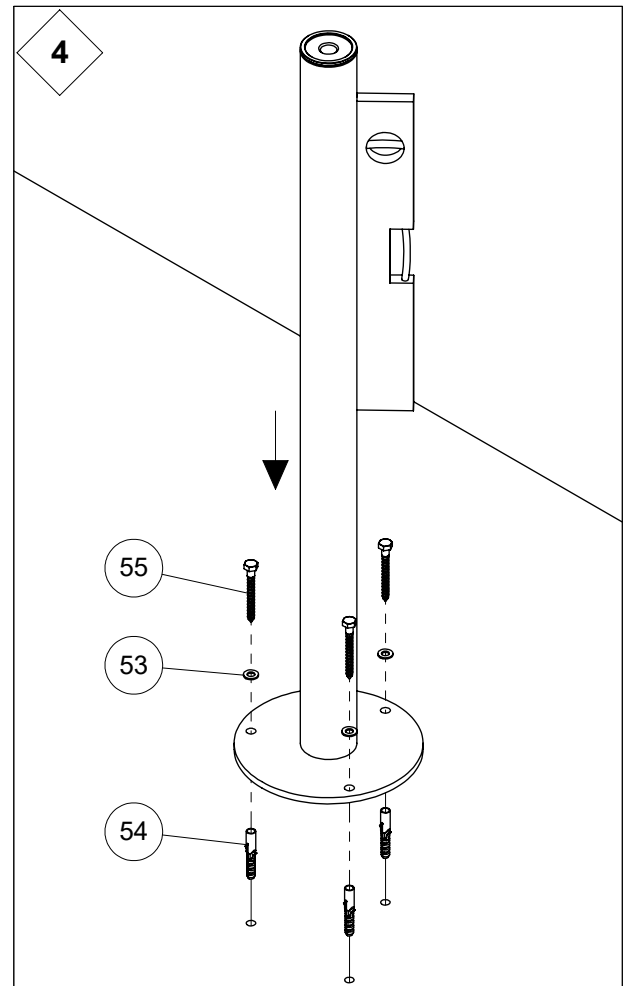
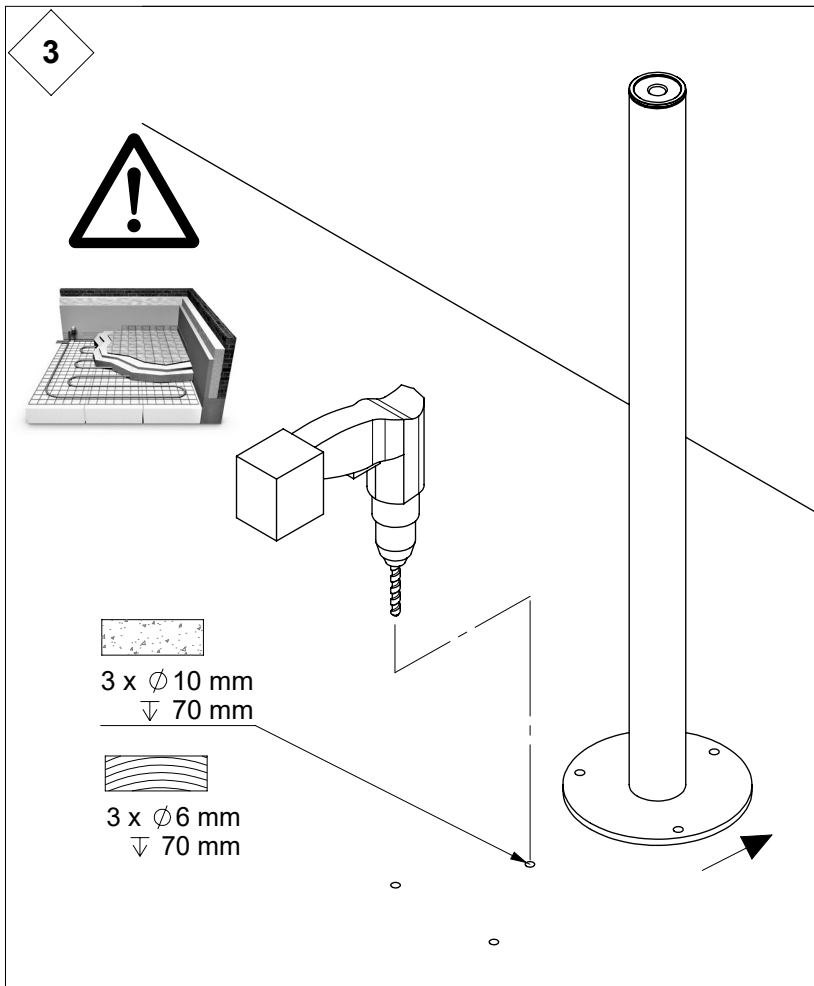
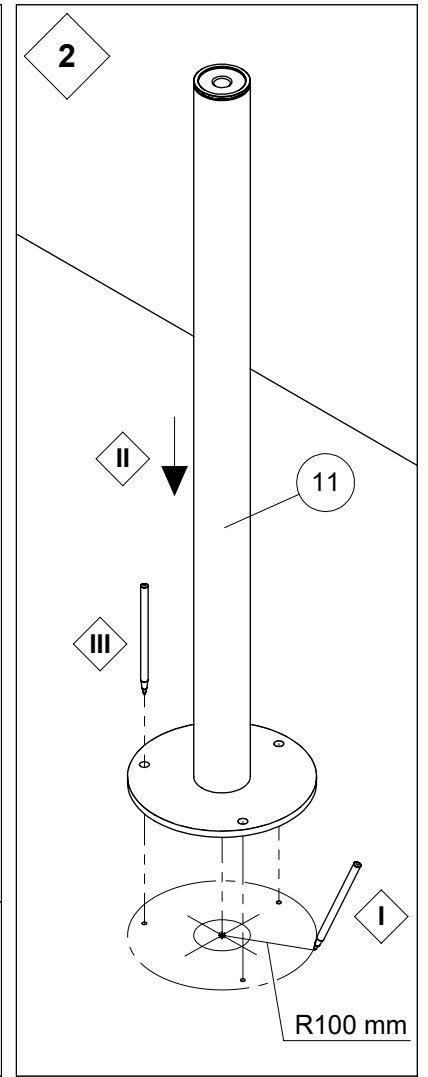
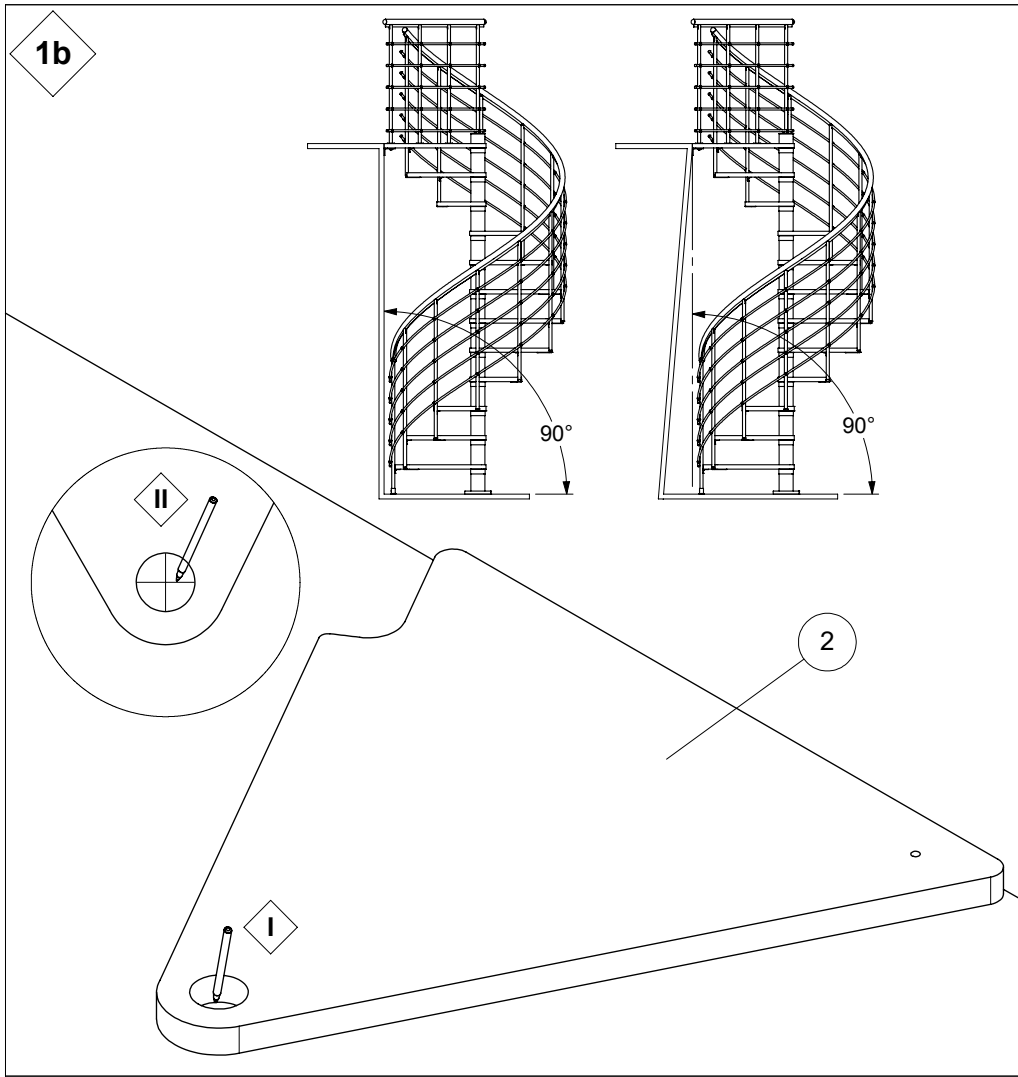
T: 11 ... 14 st/p

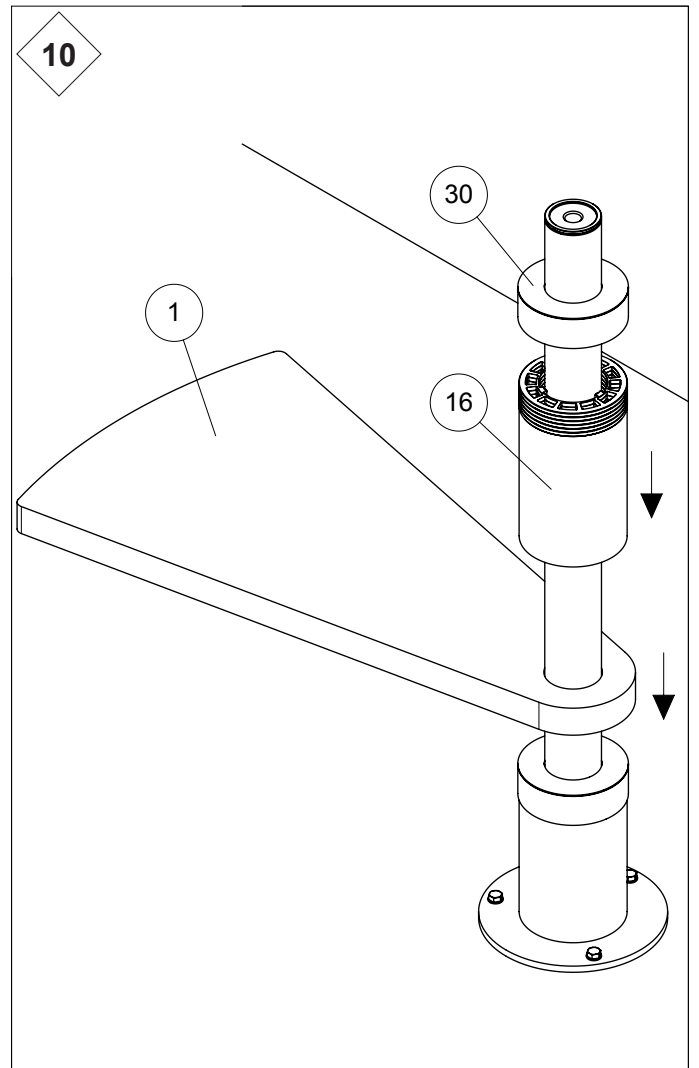
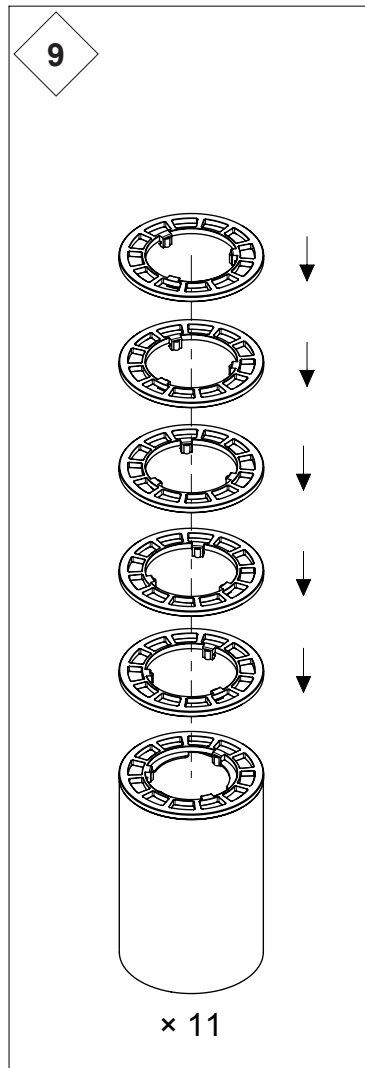
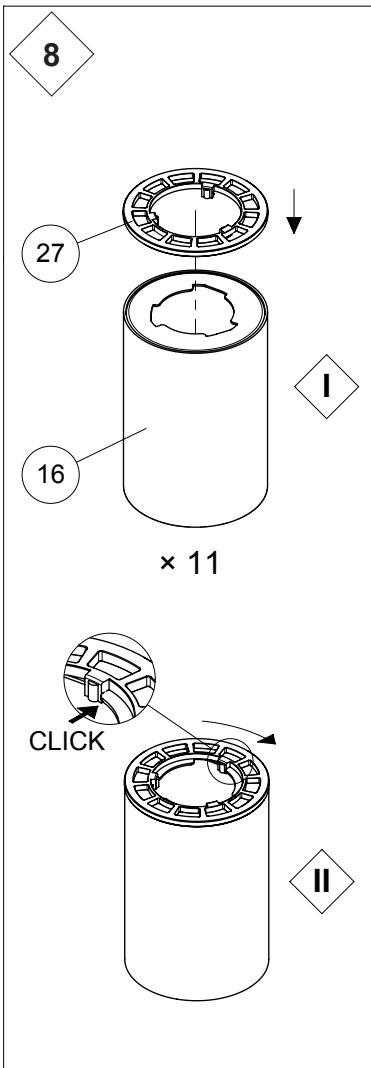
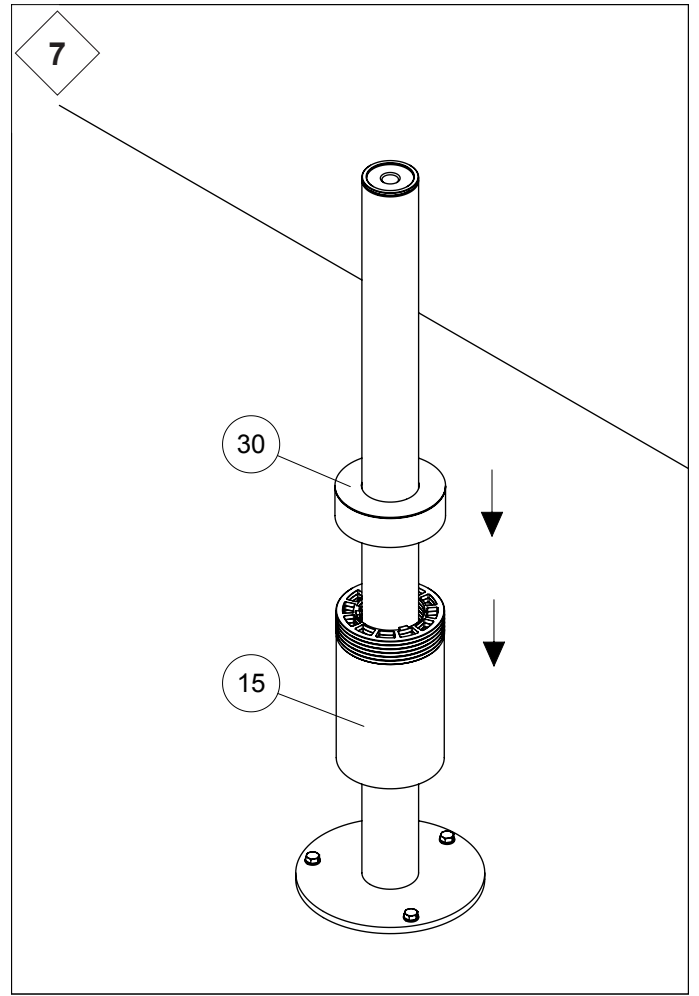
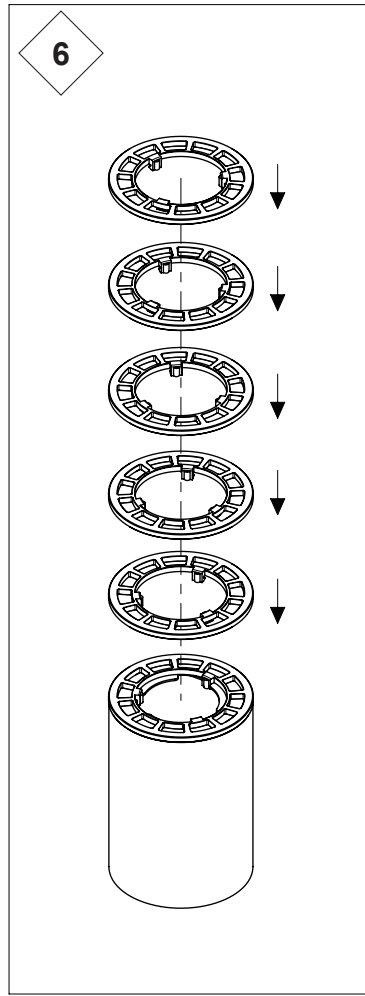
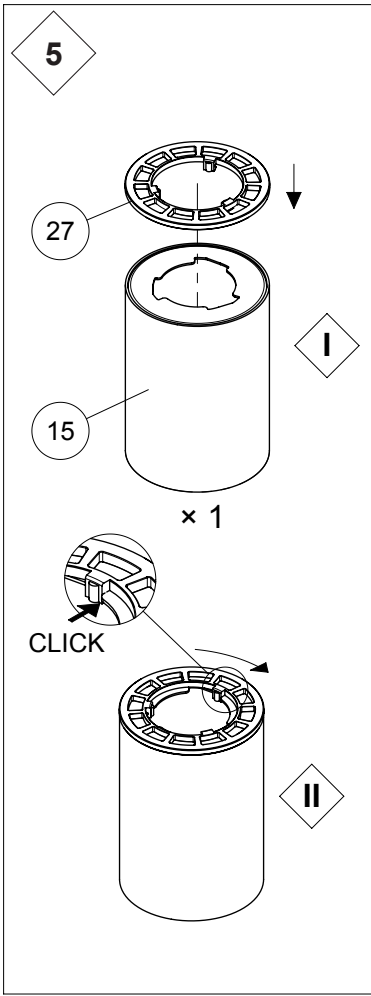


T: 11 ... 14 st/p

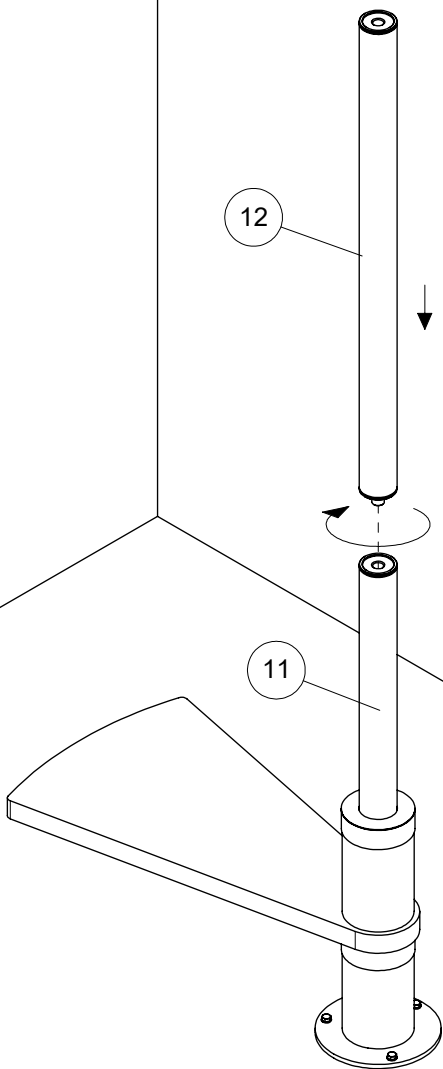
S	T	A	B
st/p	st/p	mm	mm
12	11	117	40
13	12	236	403
14	13	520	659
15	14	895	738



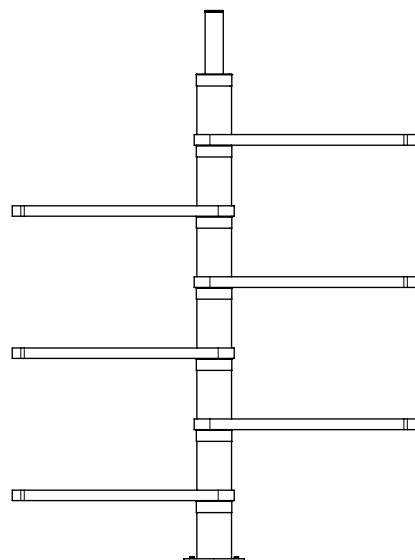
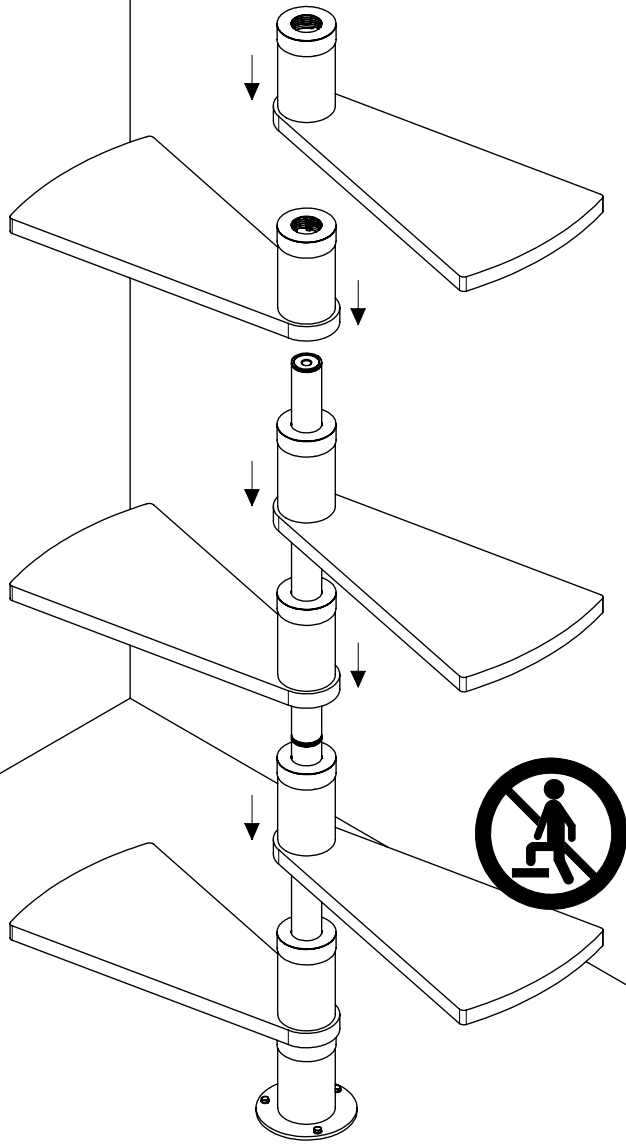


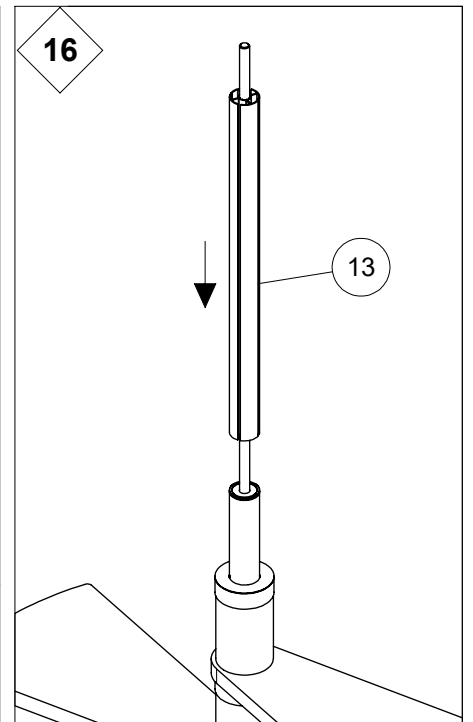
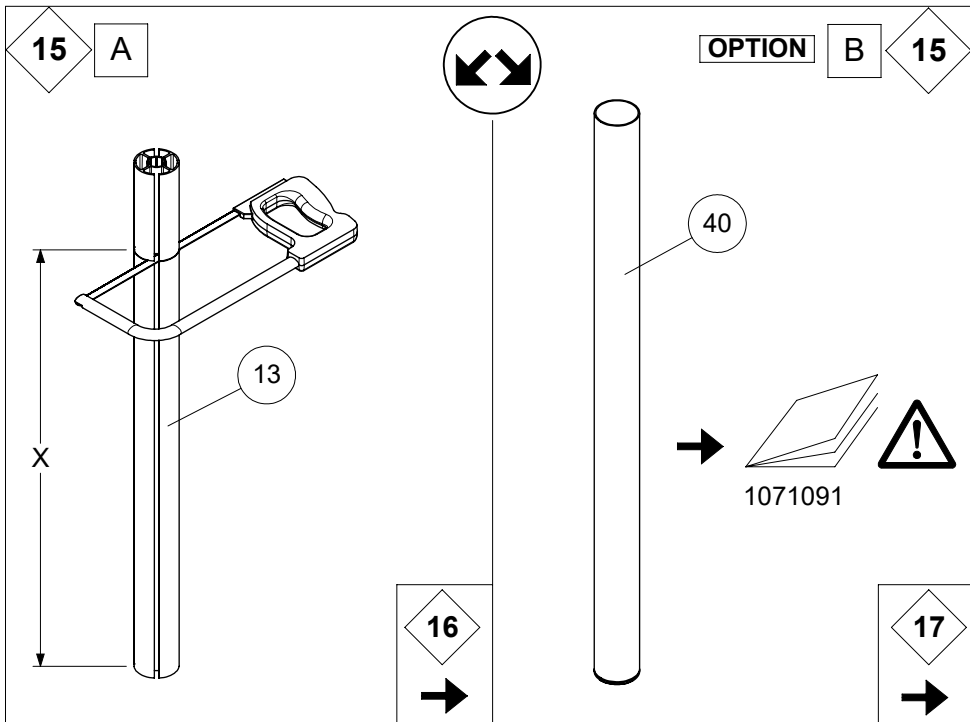
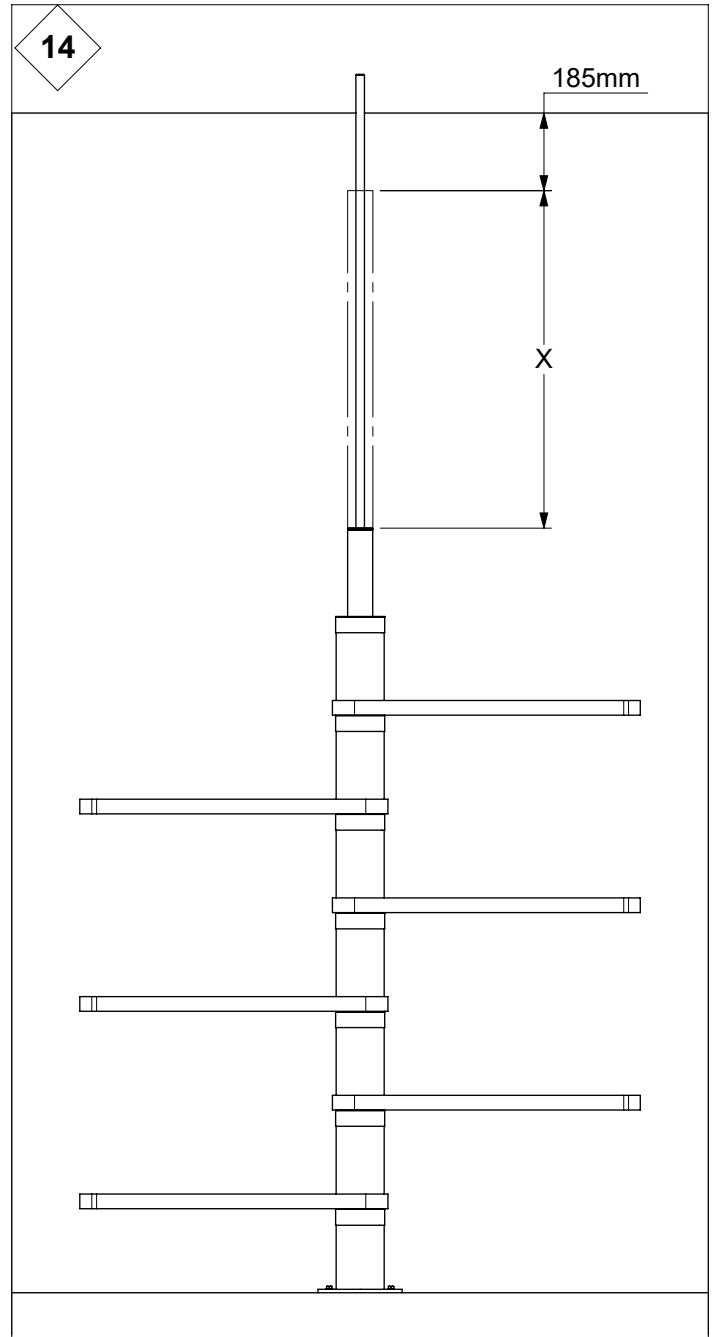
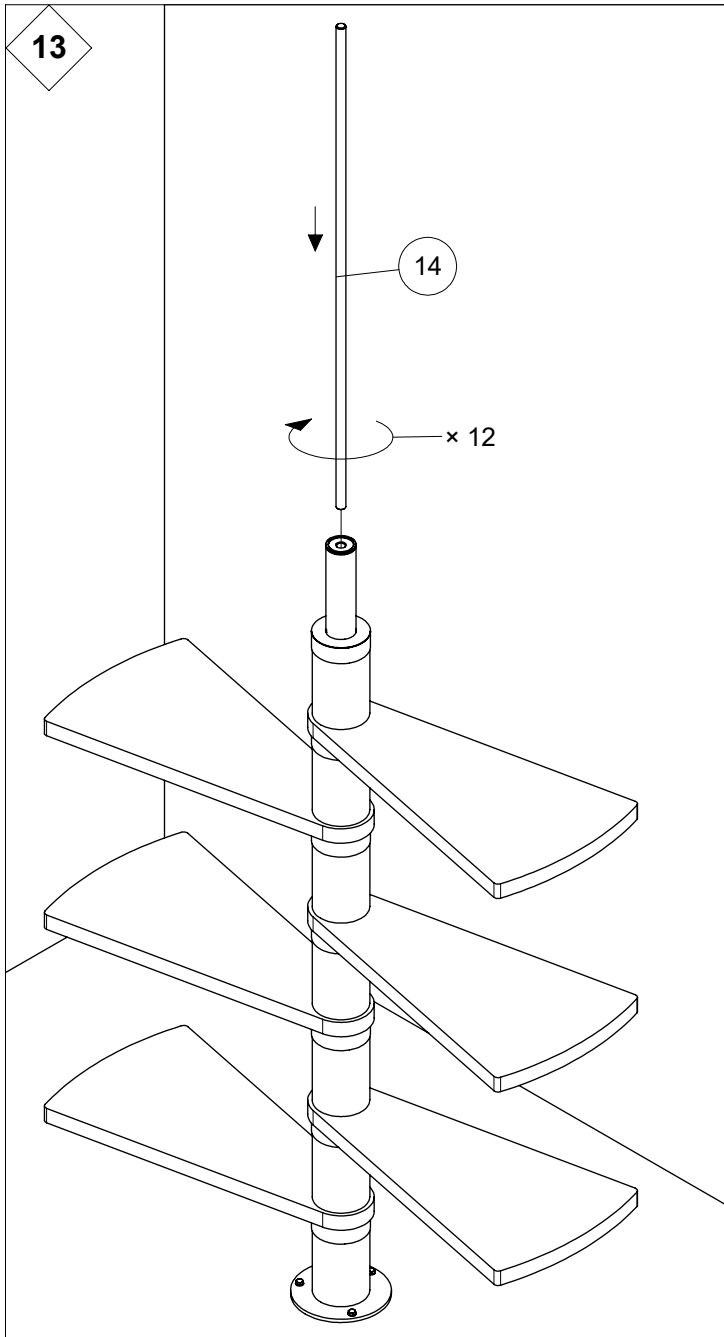


11

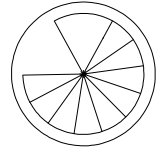
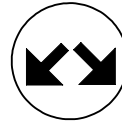
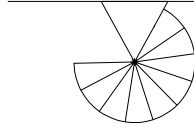
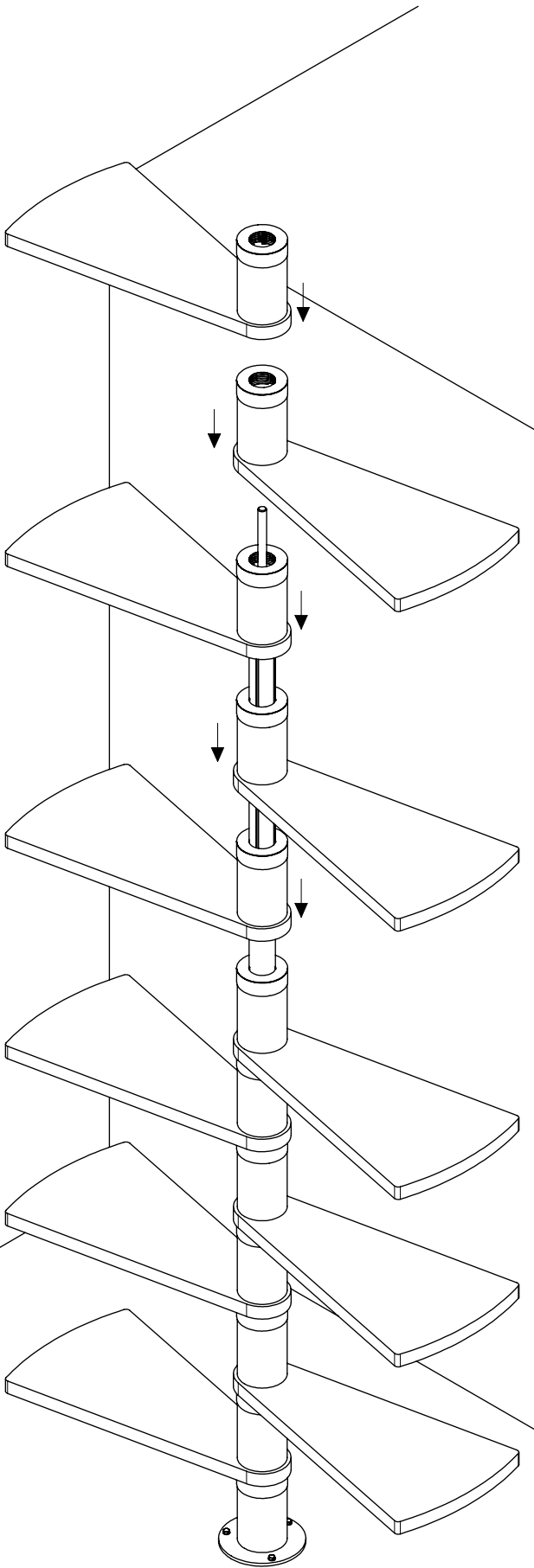


12





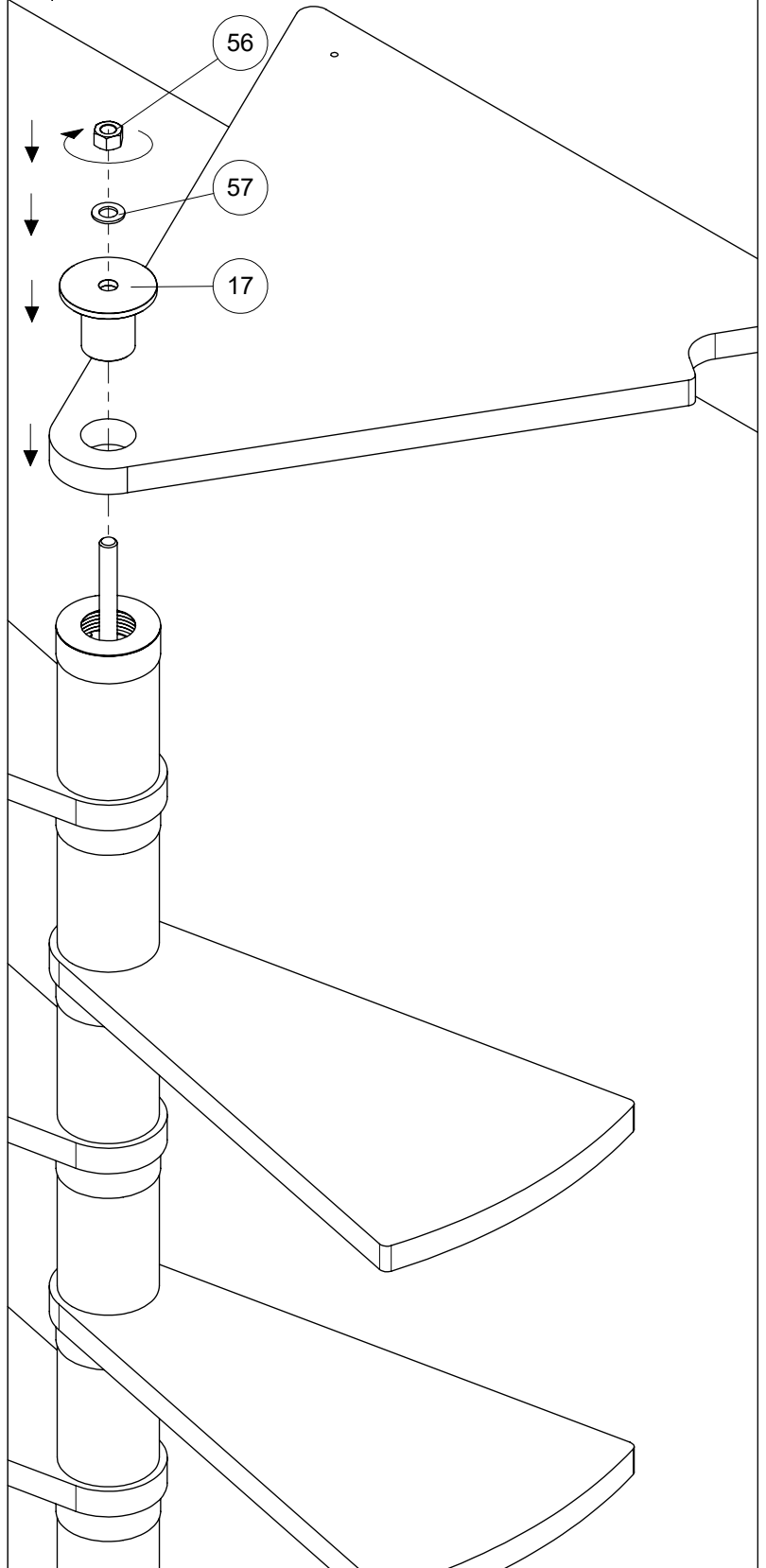
17

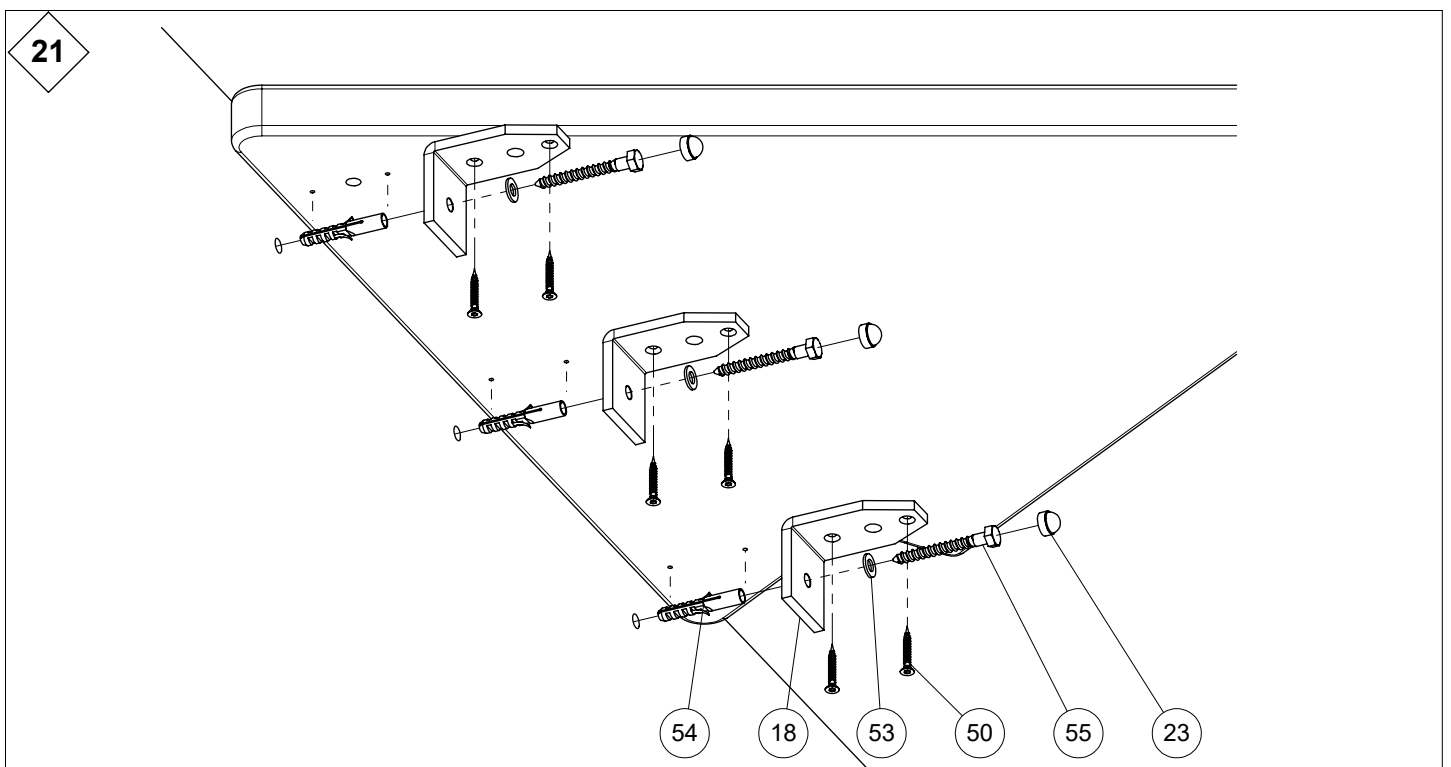
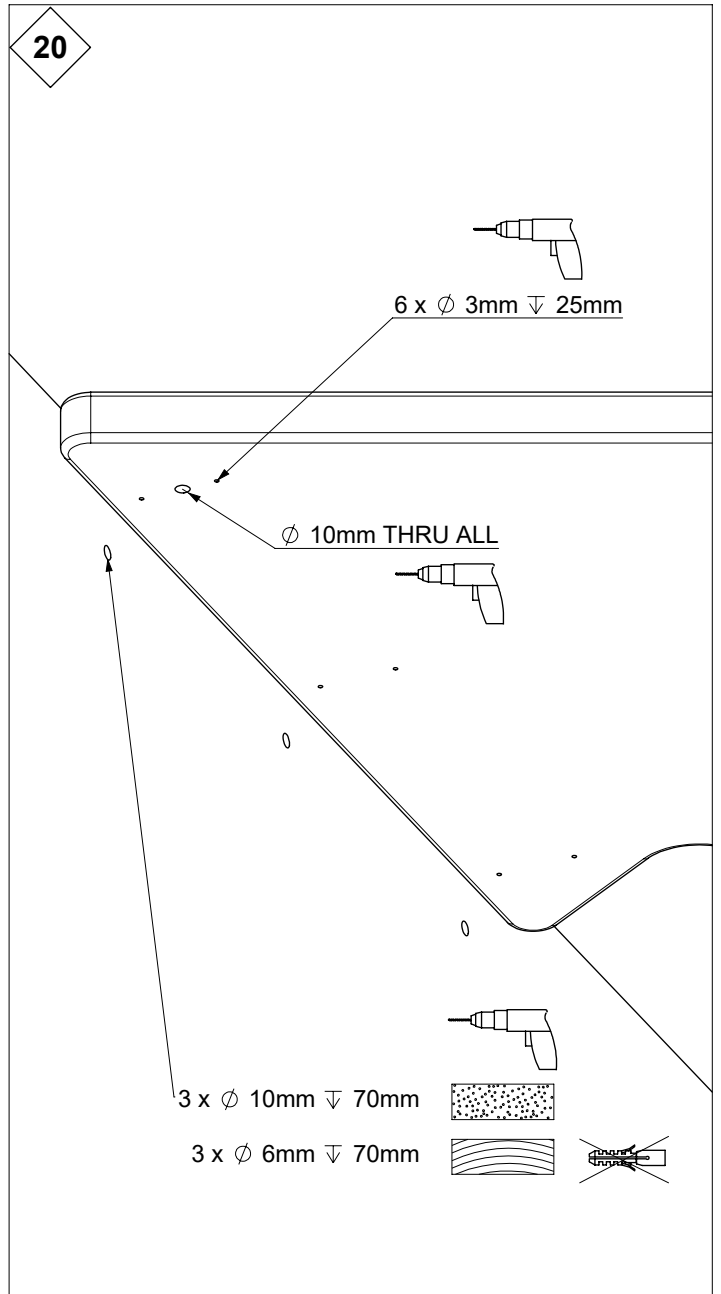
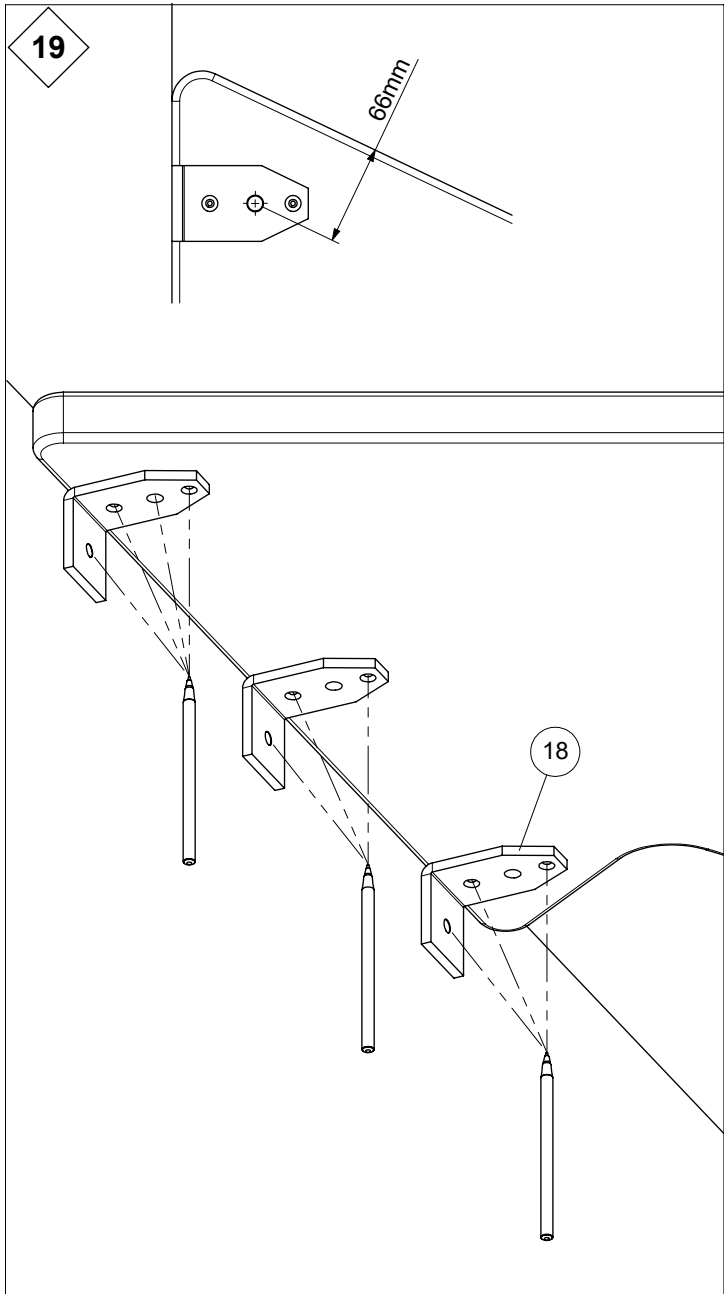


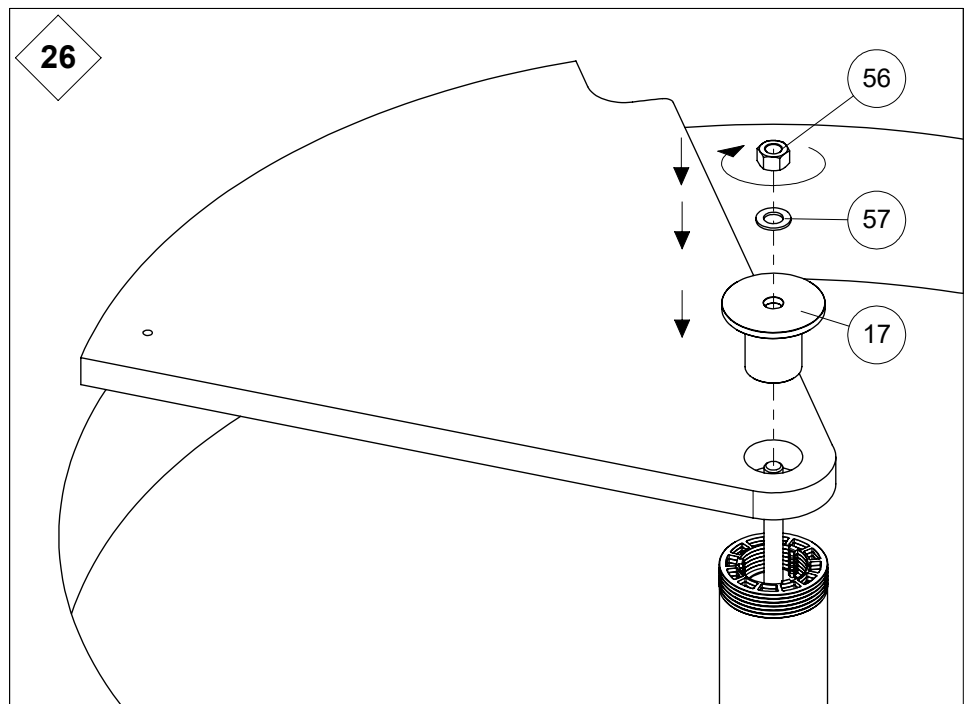
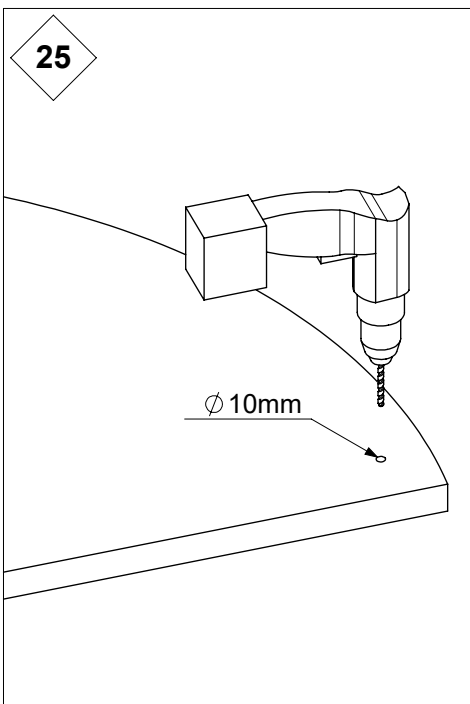
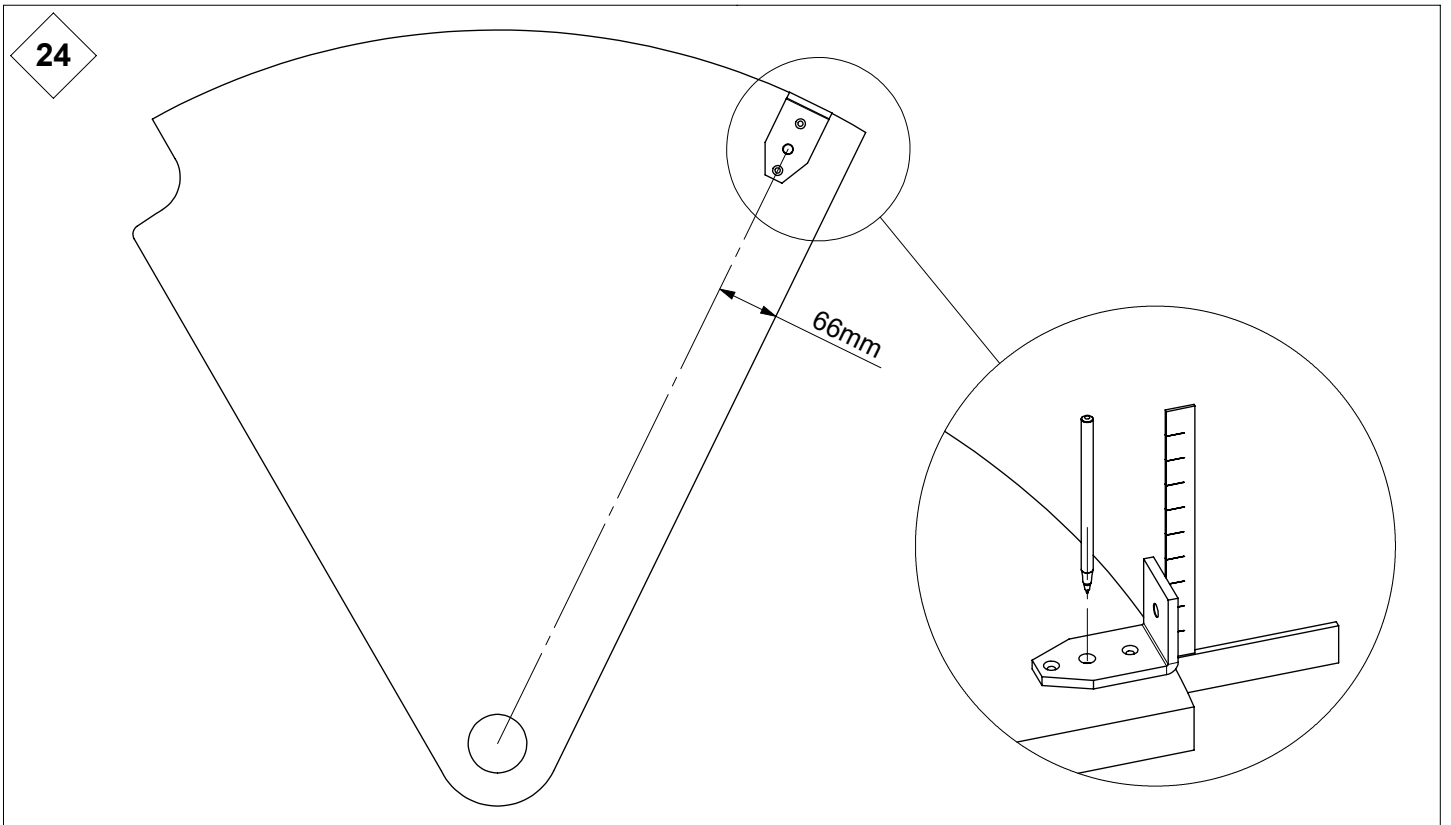
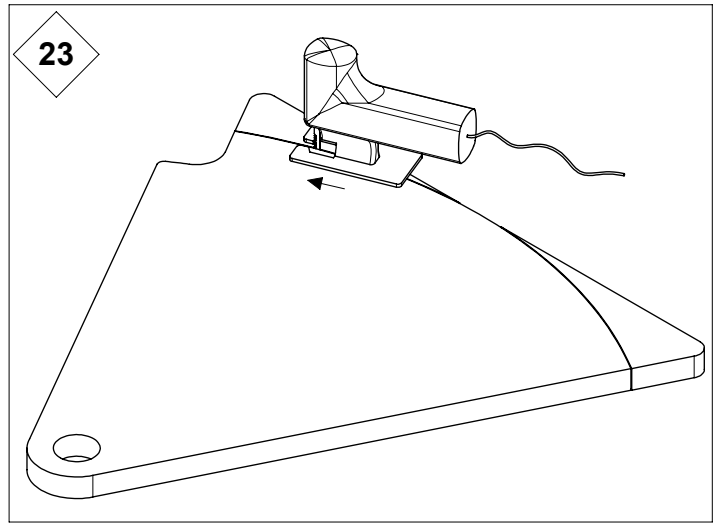
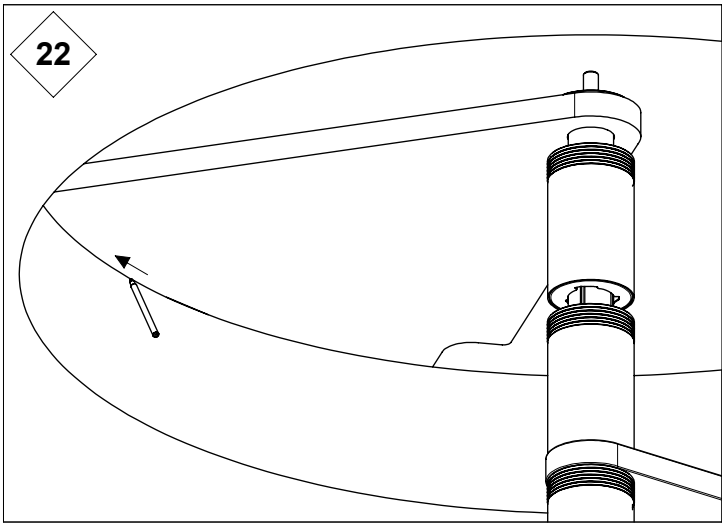
18 - 21

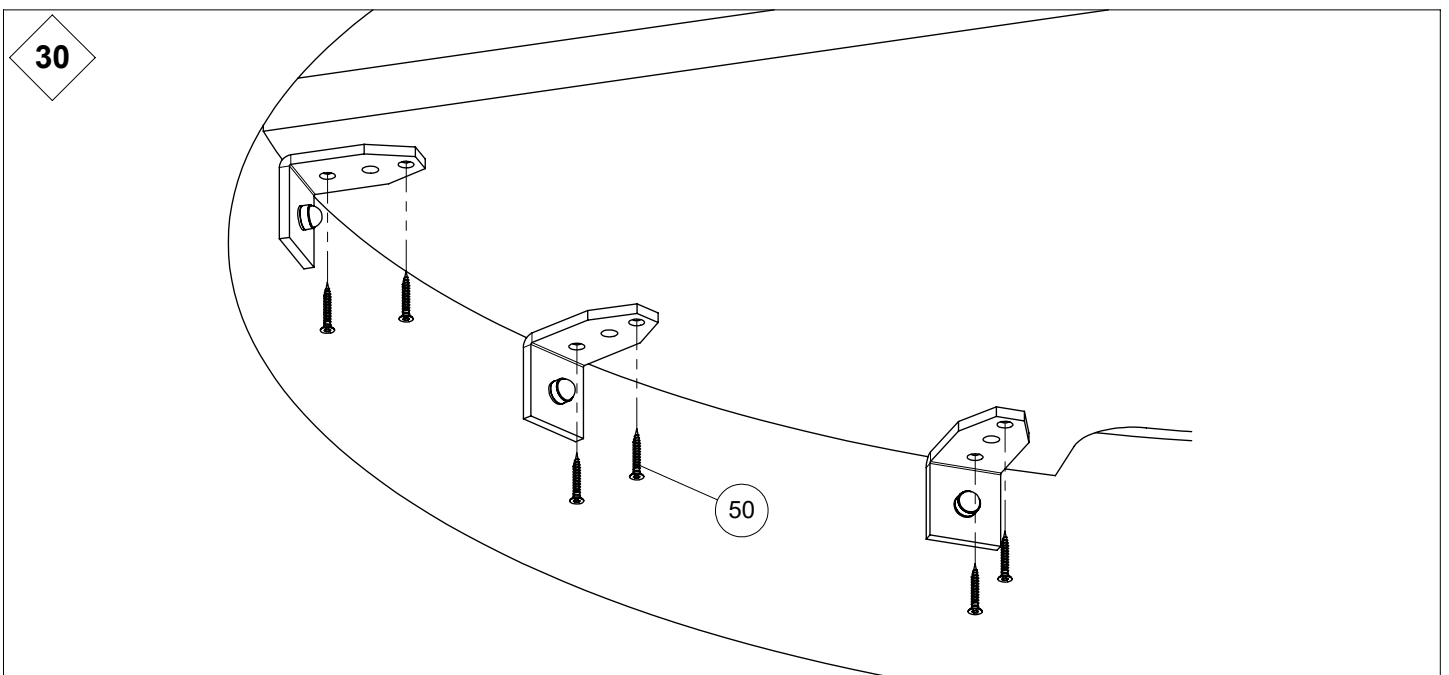
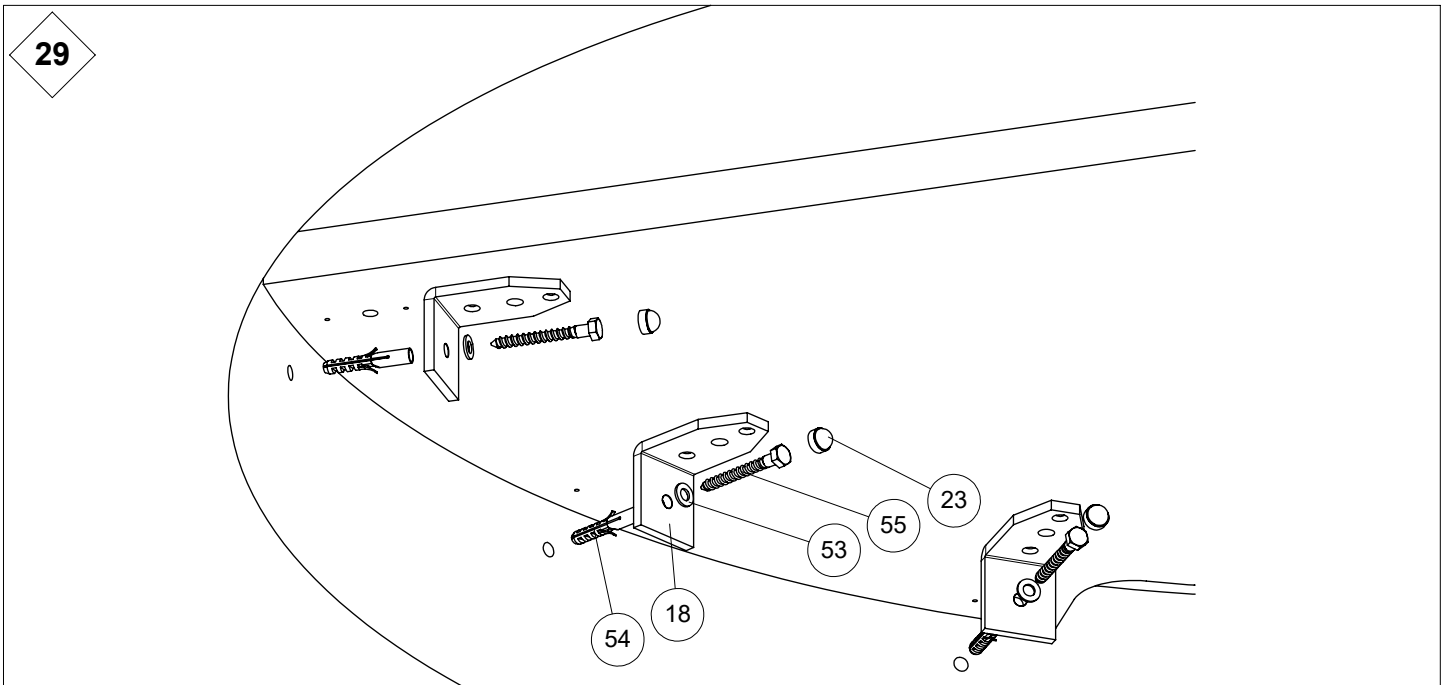
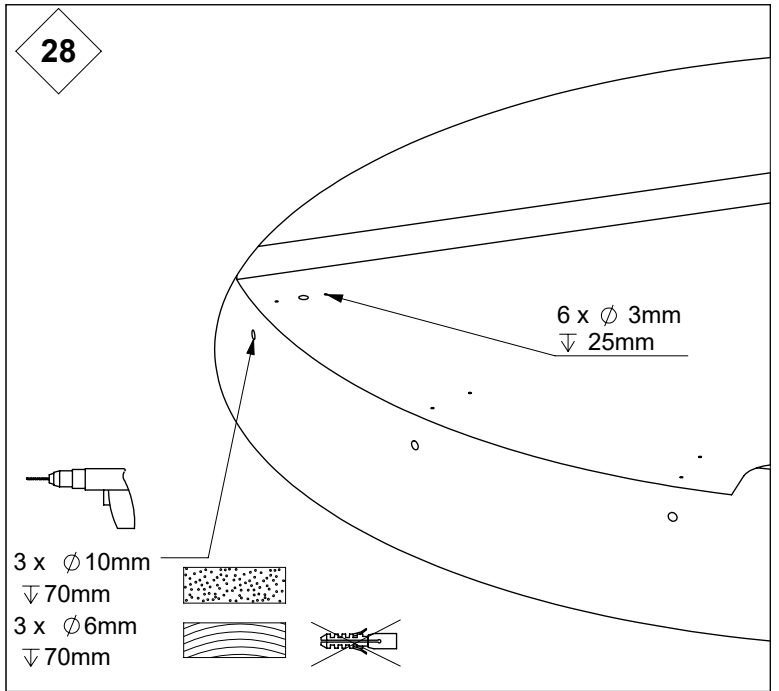
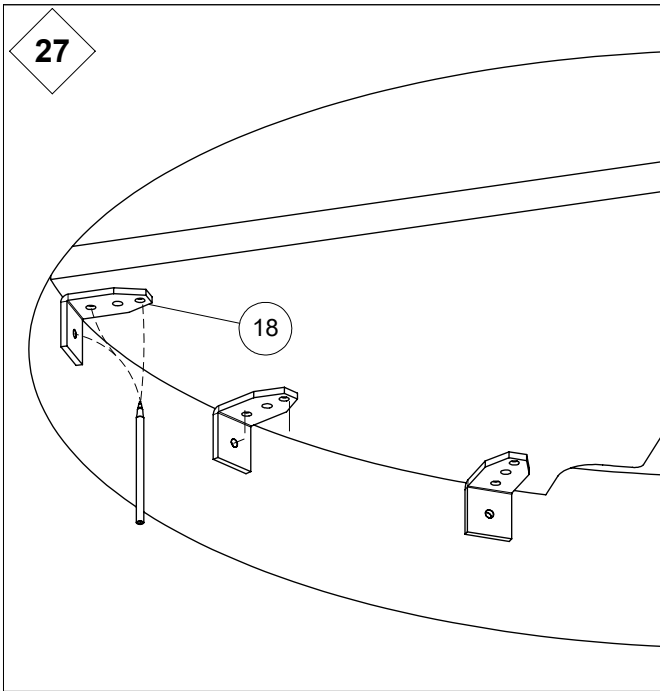
22 - 30

18

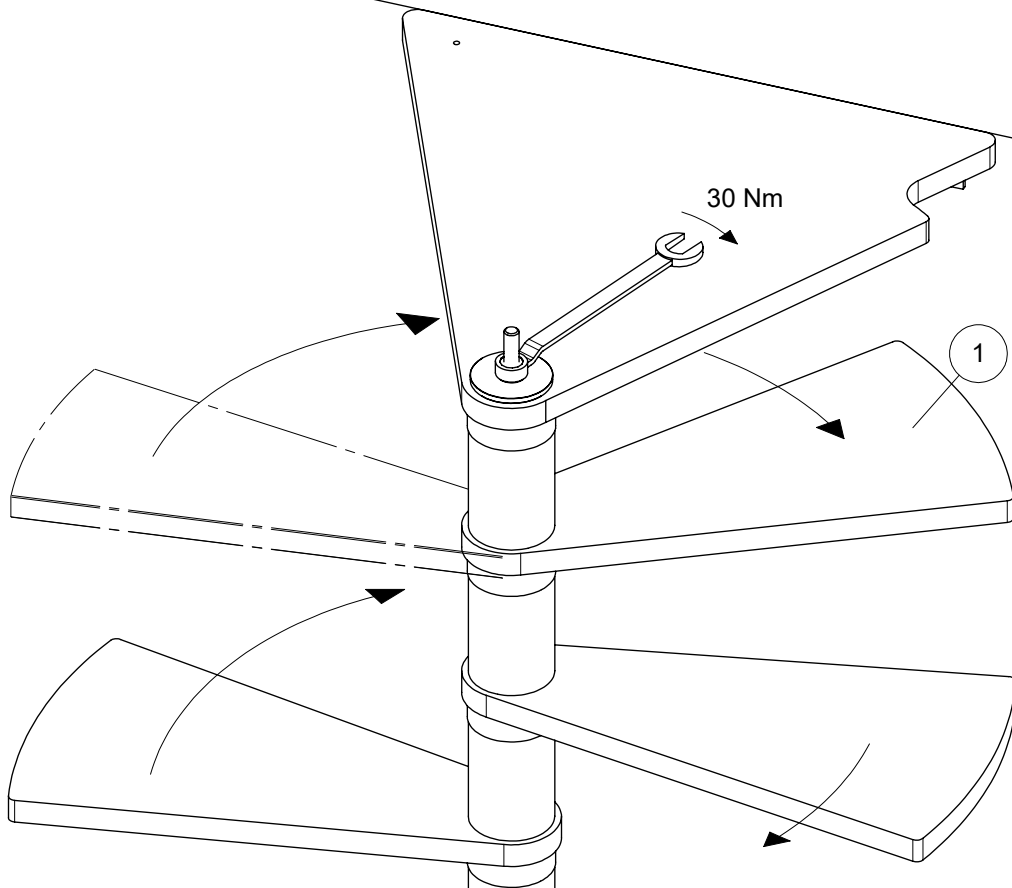




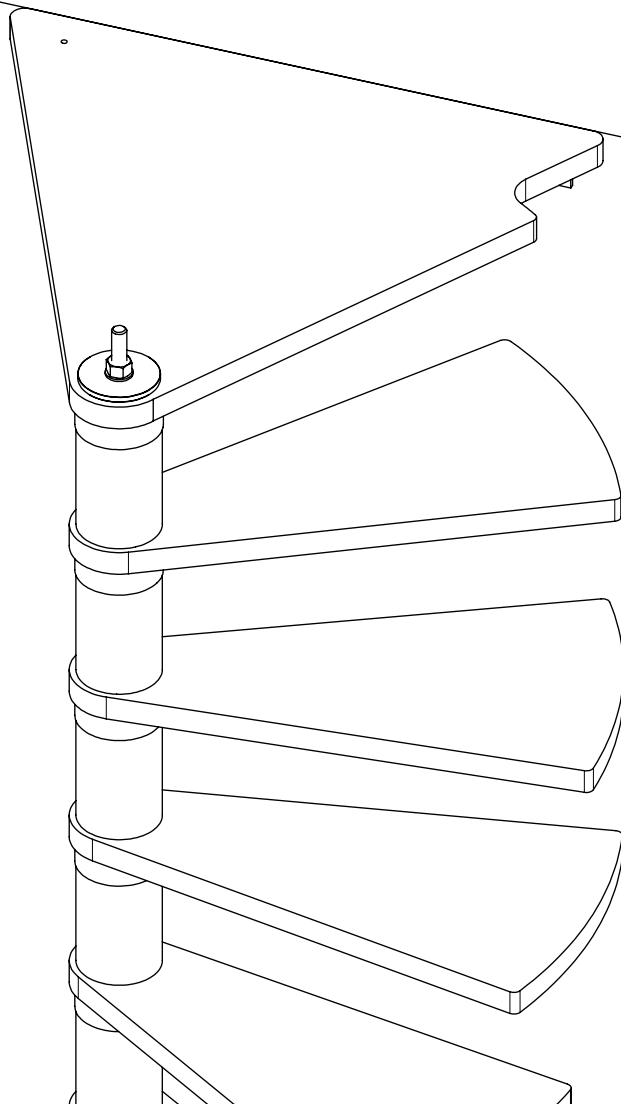




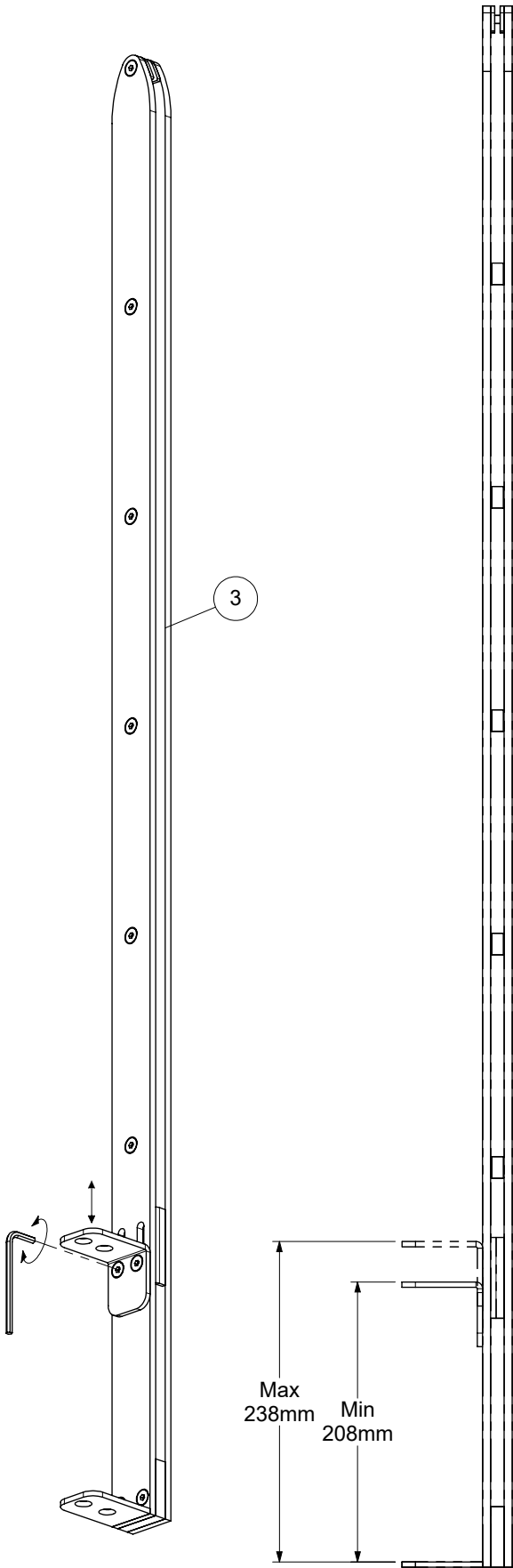
31



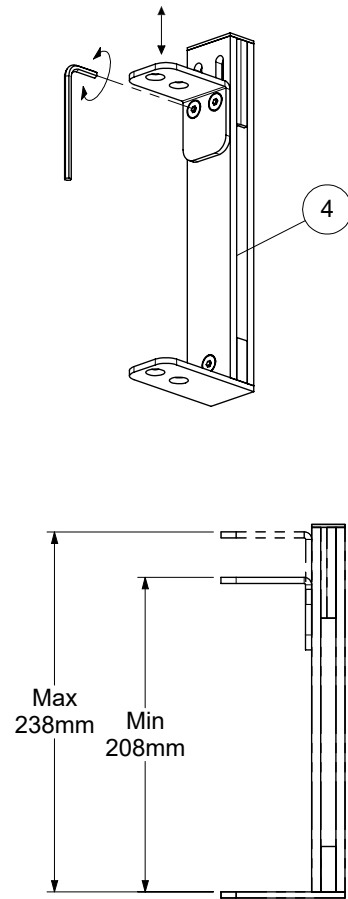
32



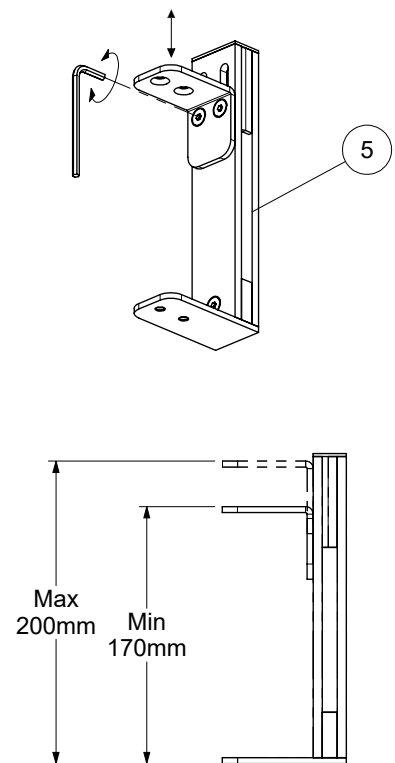
33

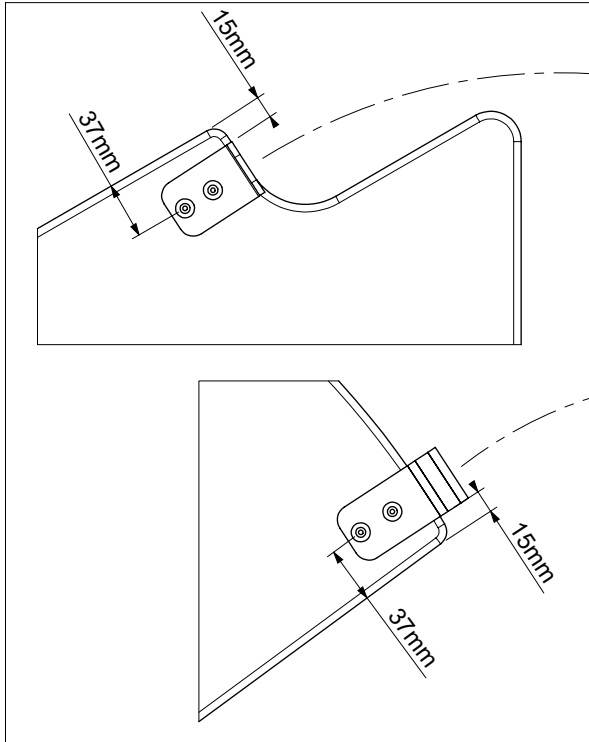
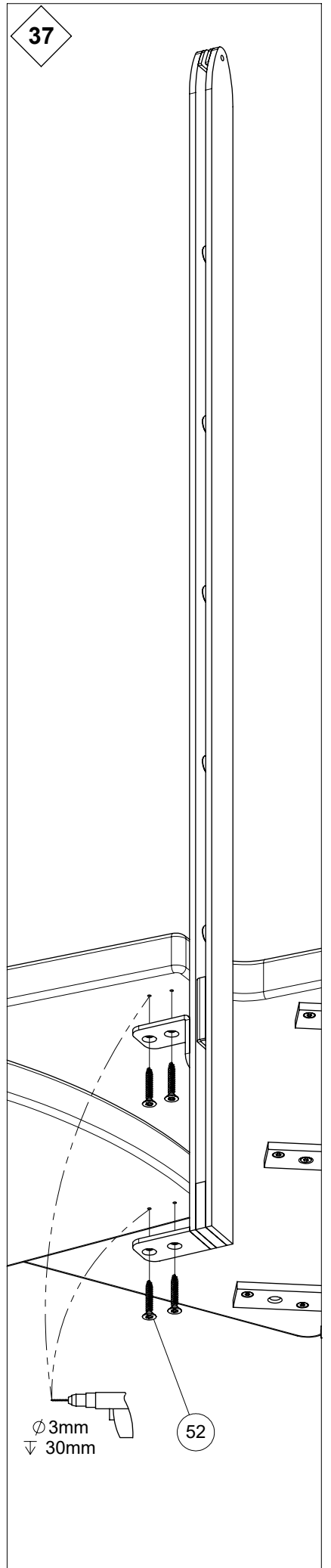
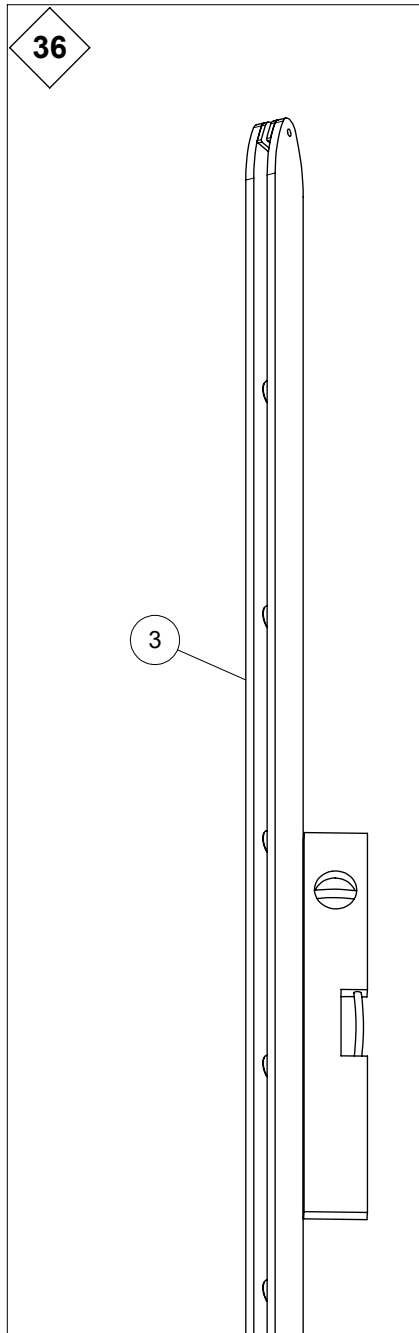
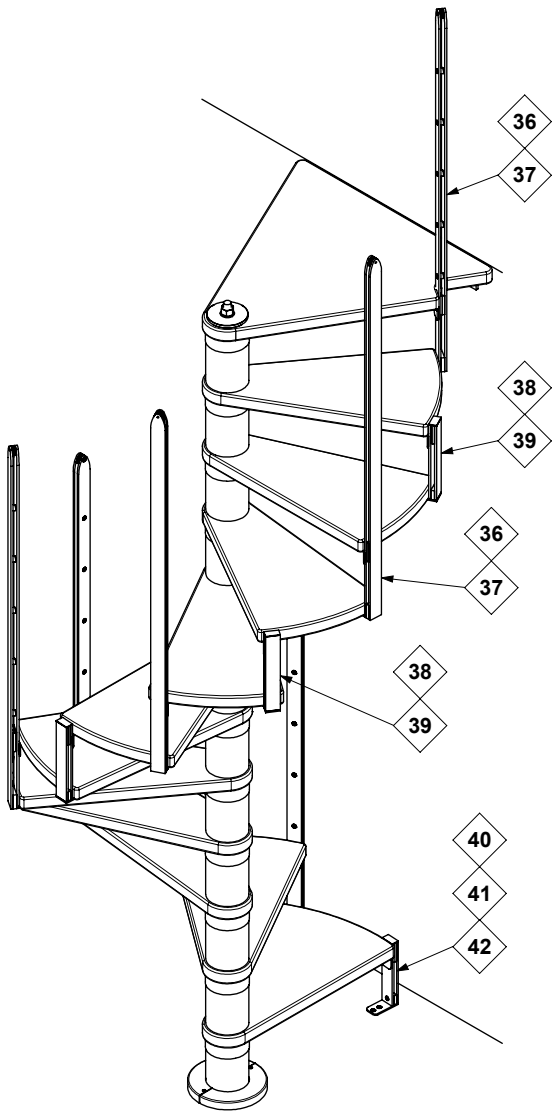


34

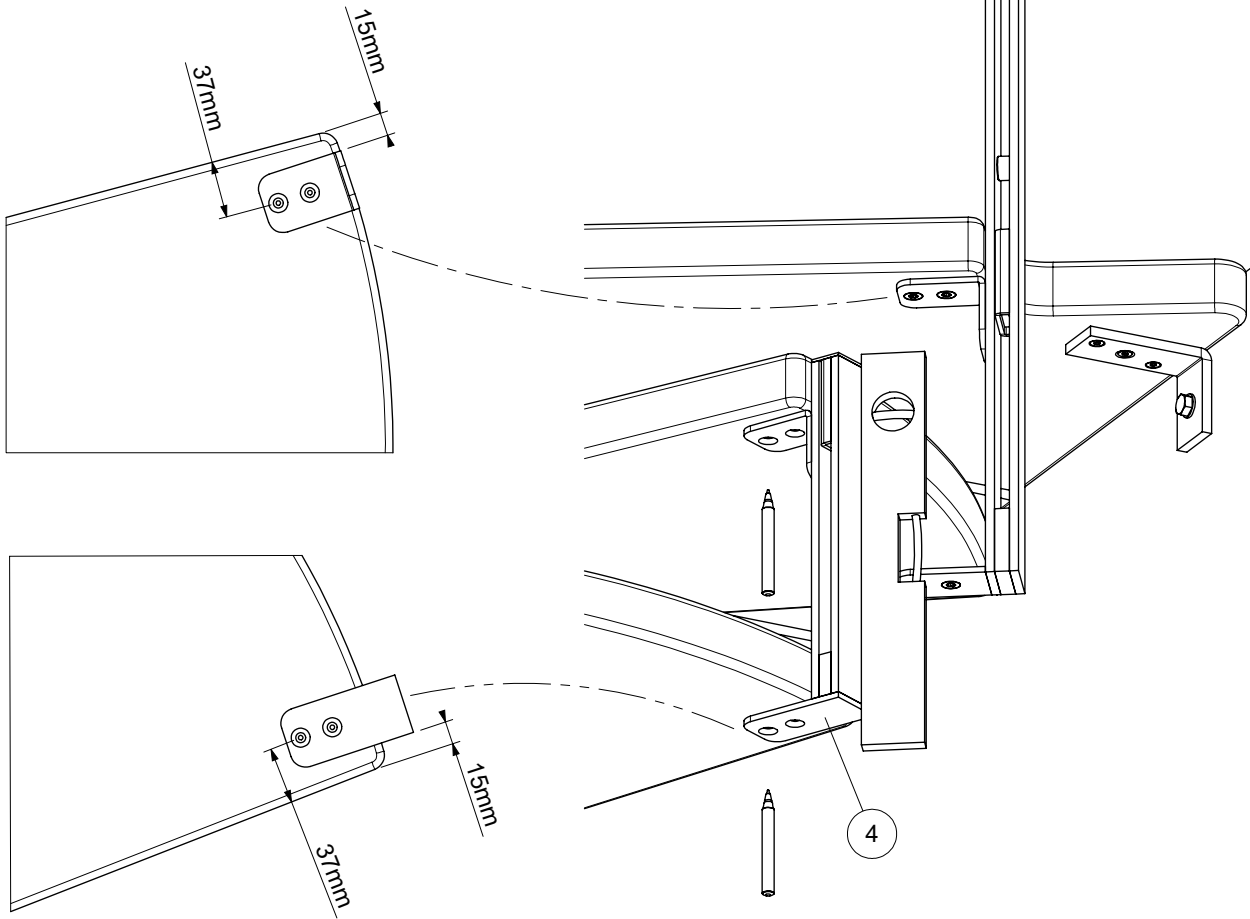


35

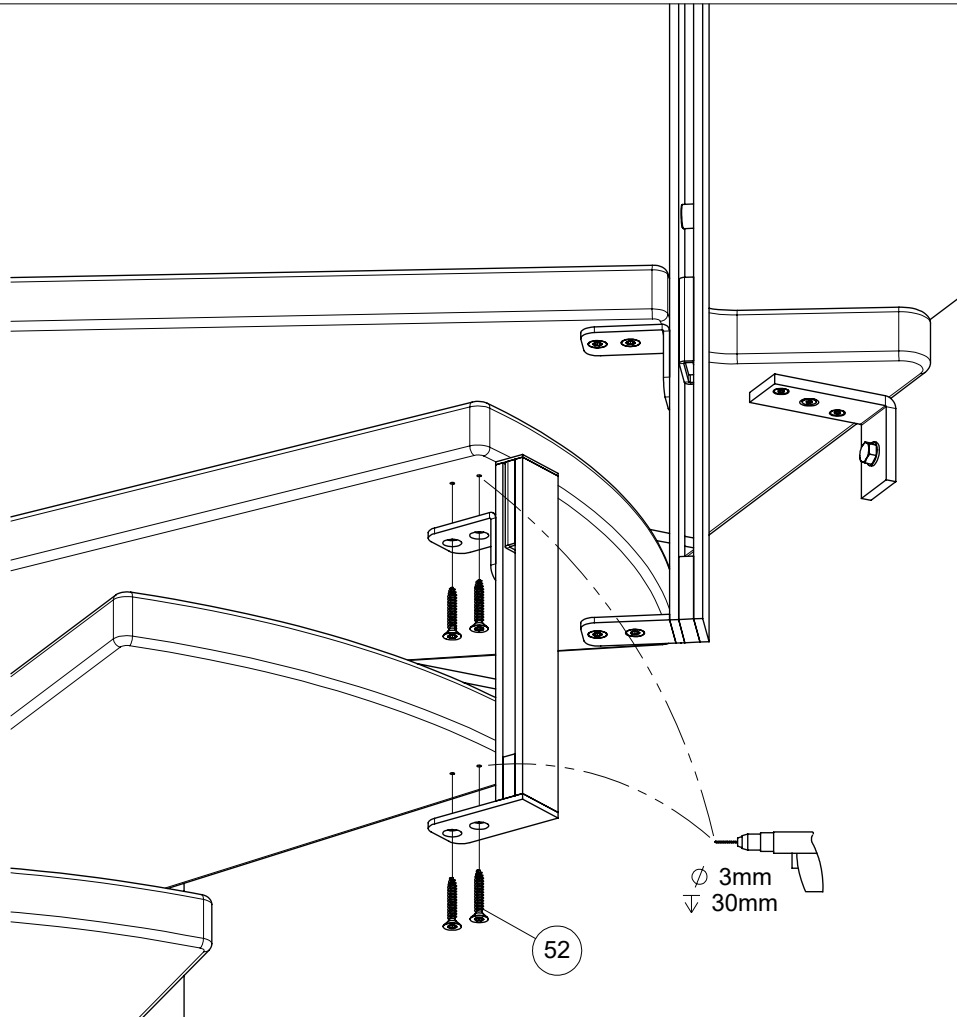


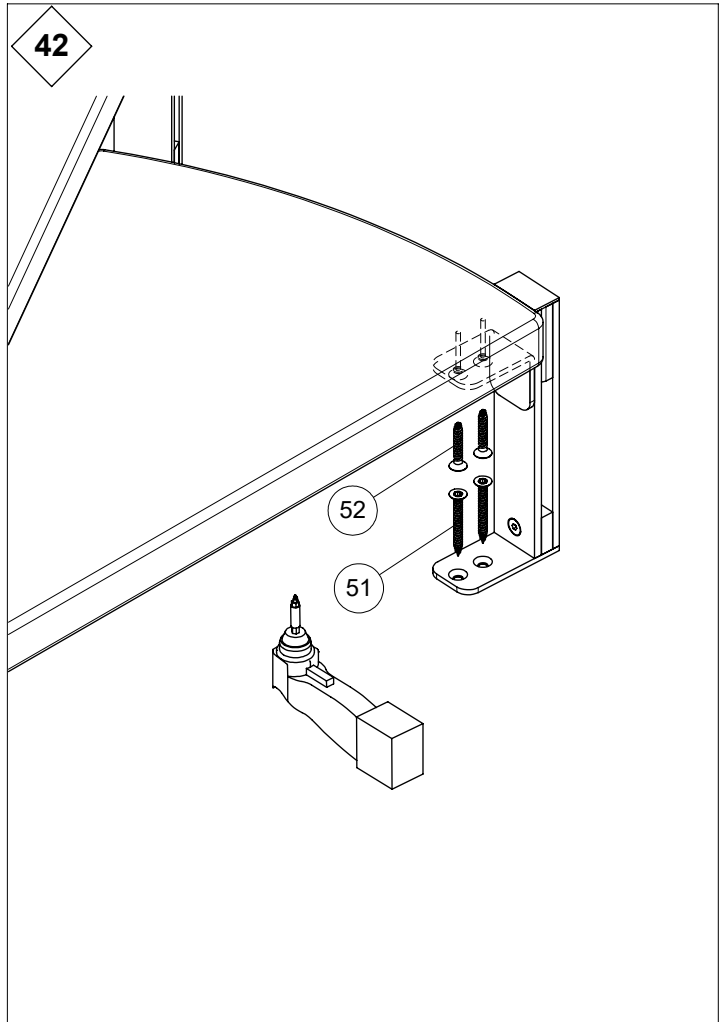
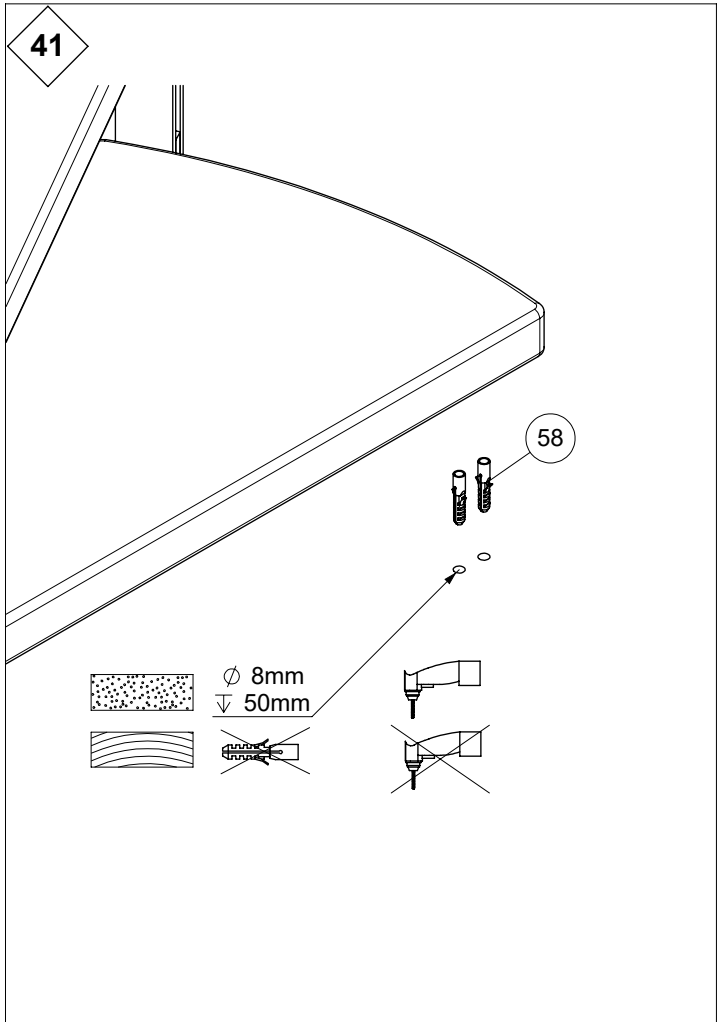
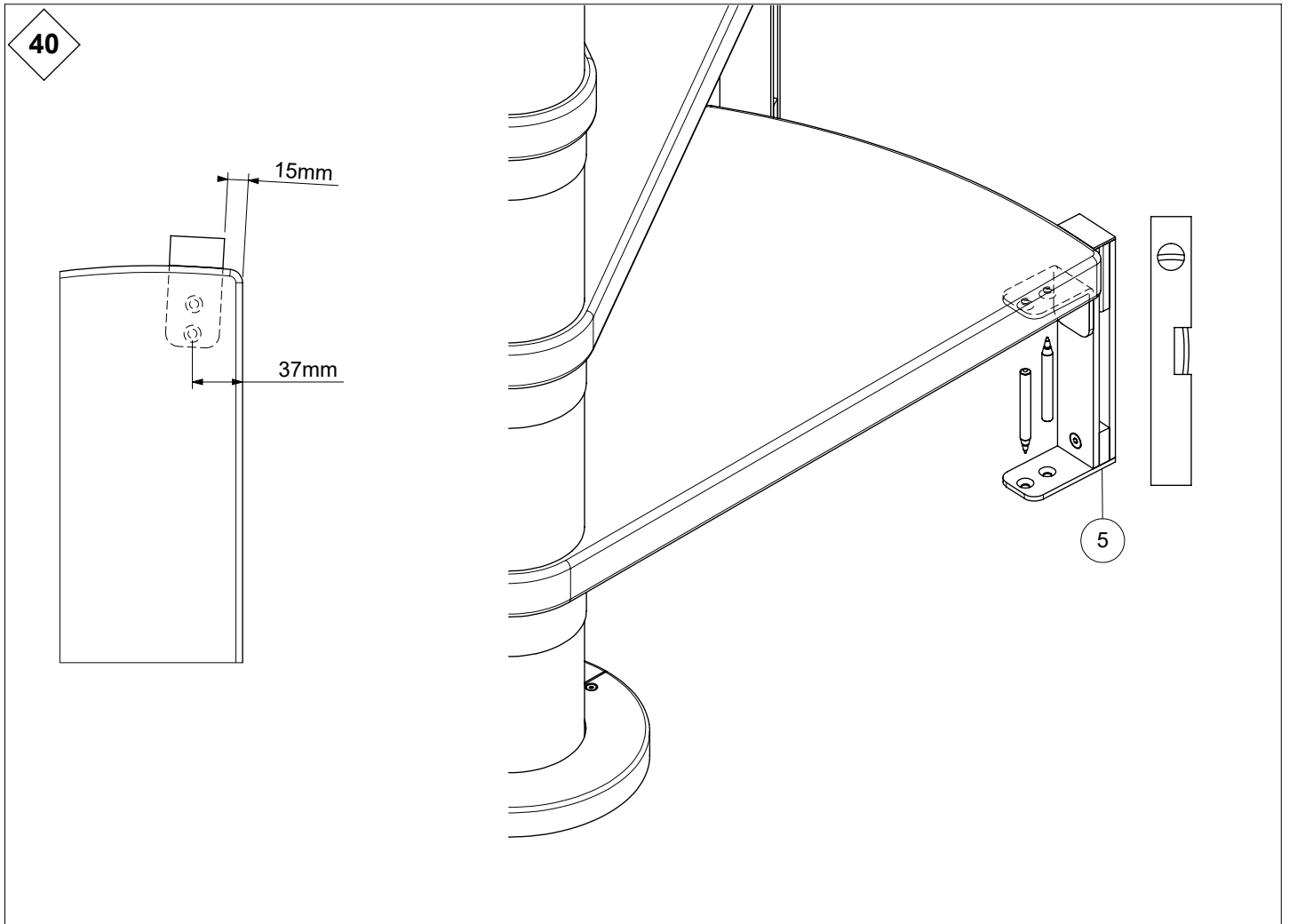


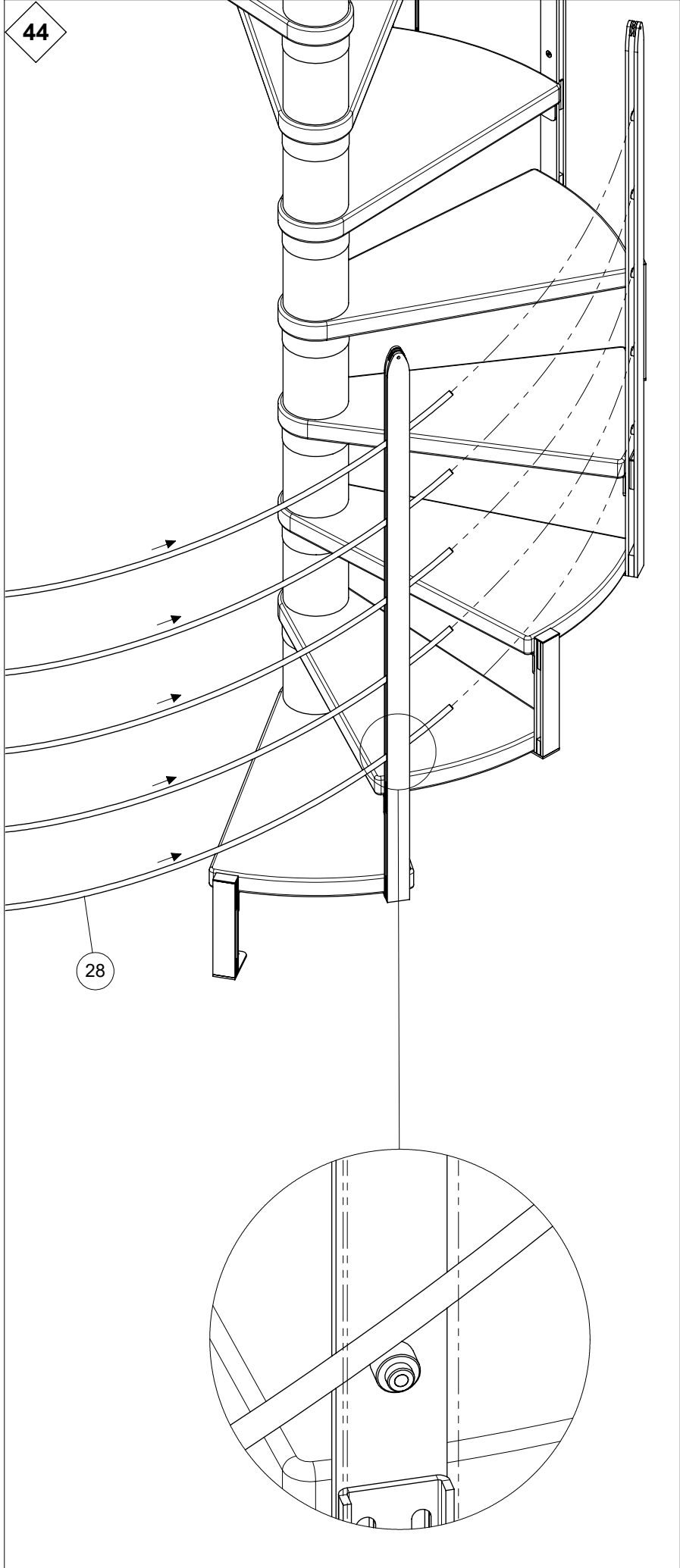
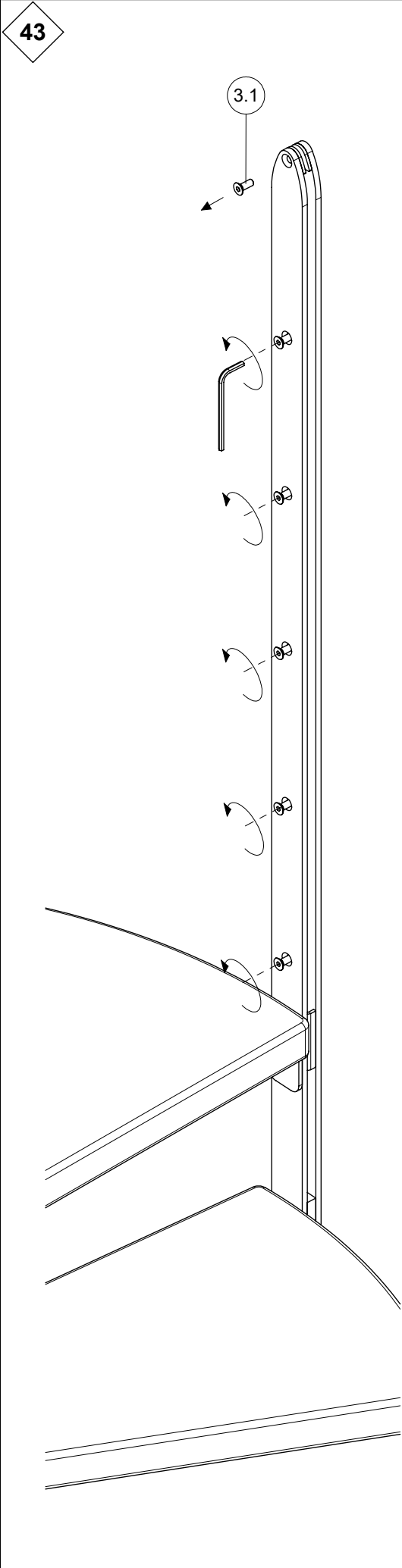
38



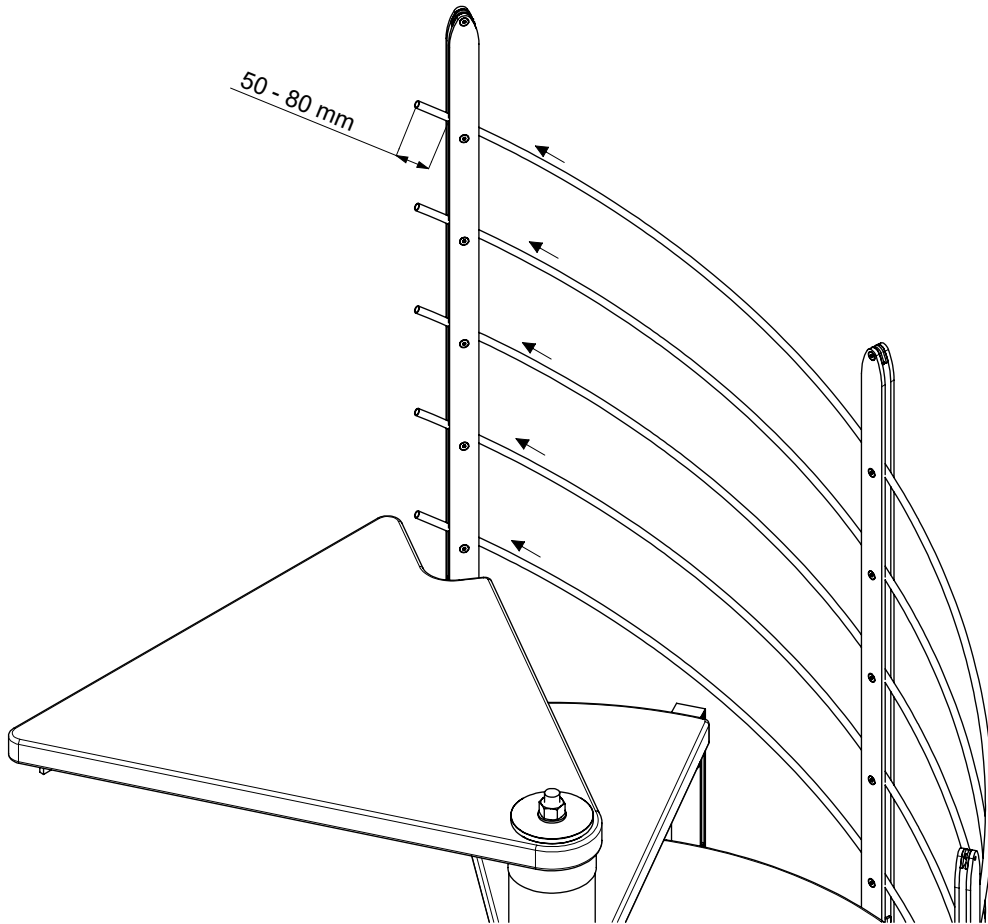
39



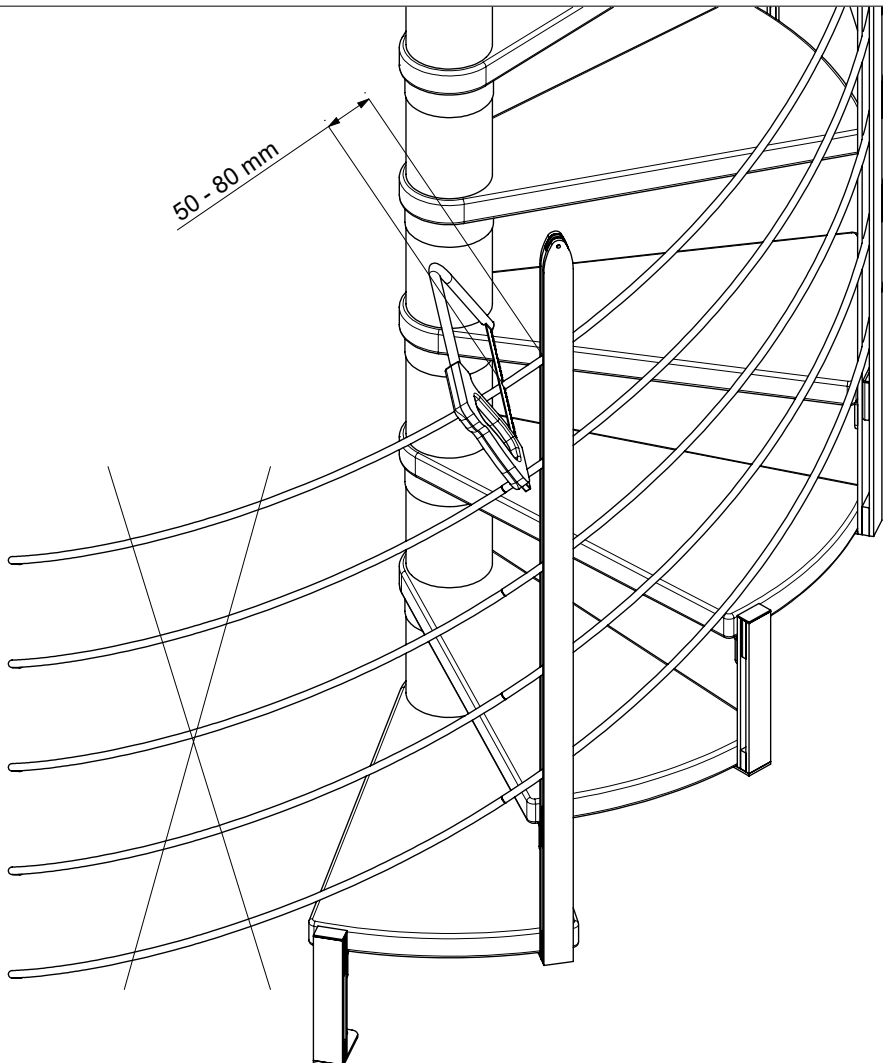


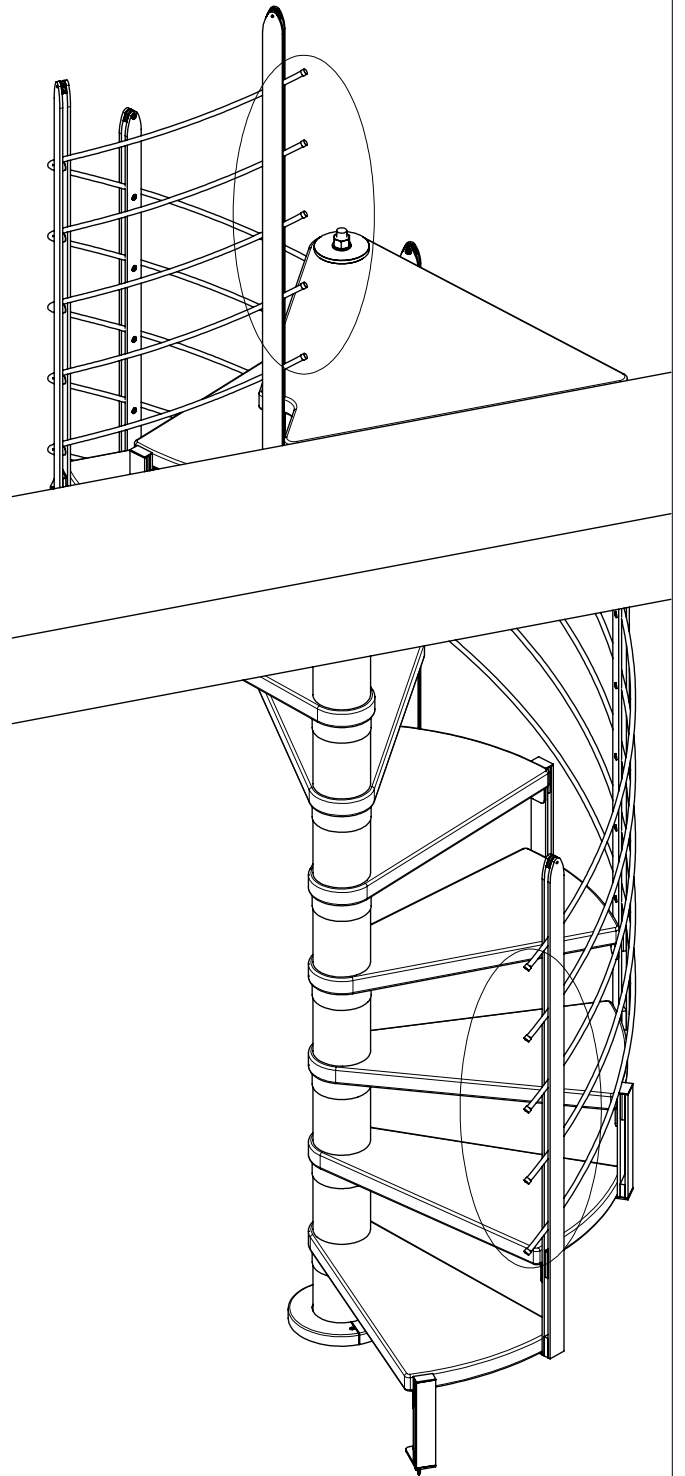
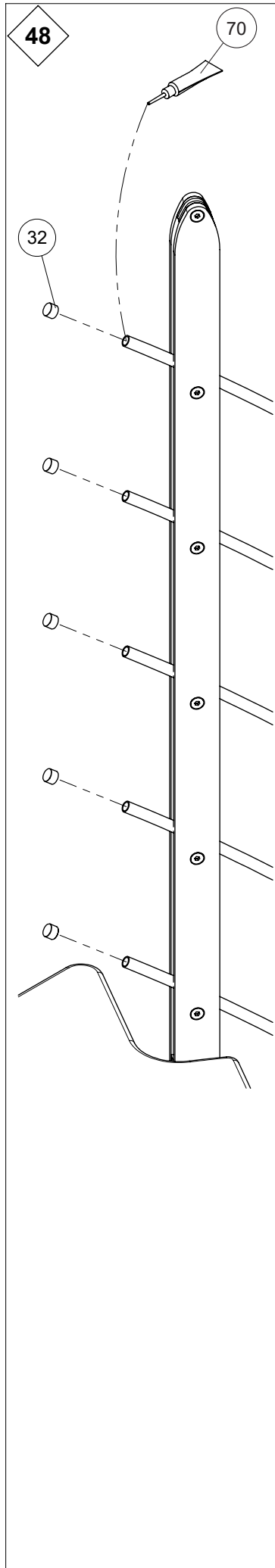
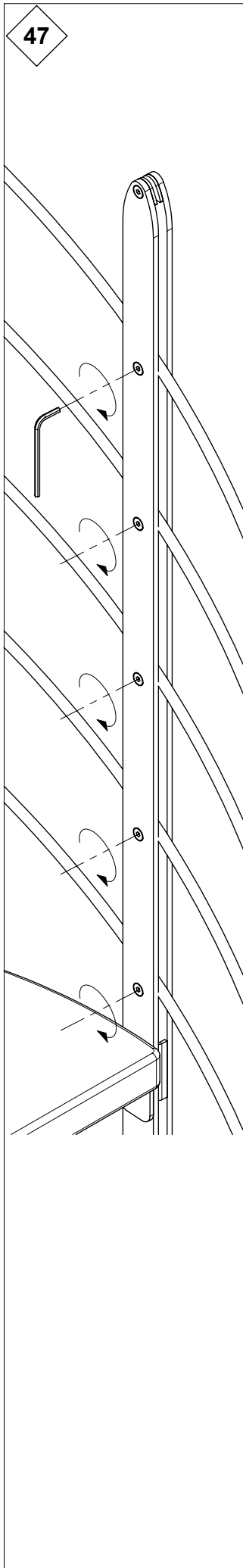


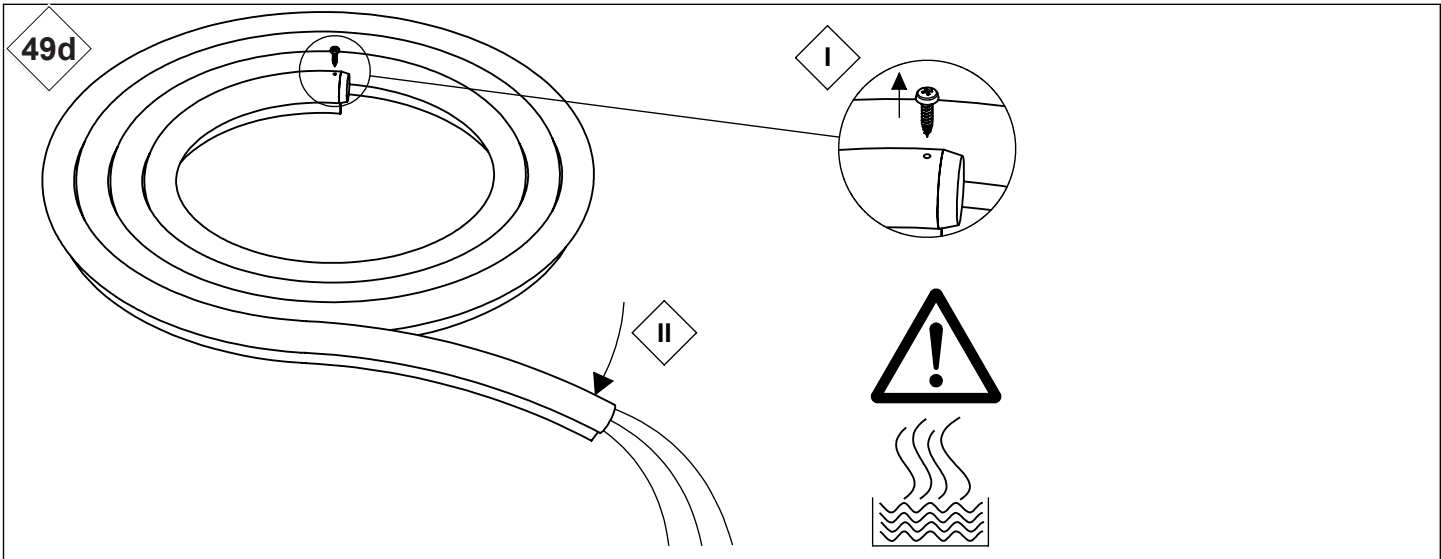
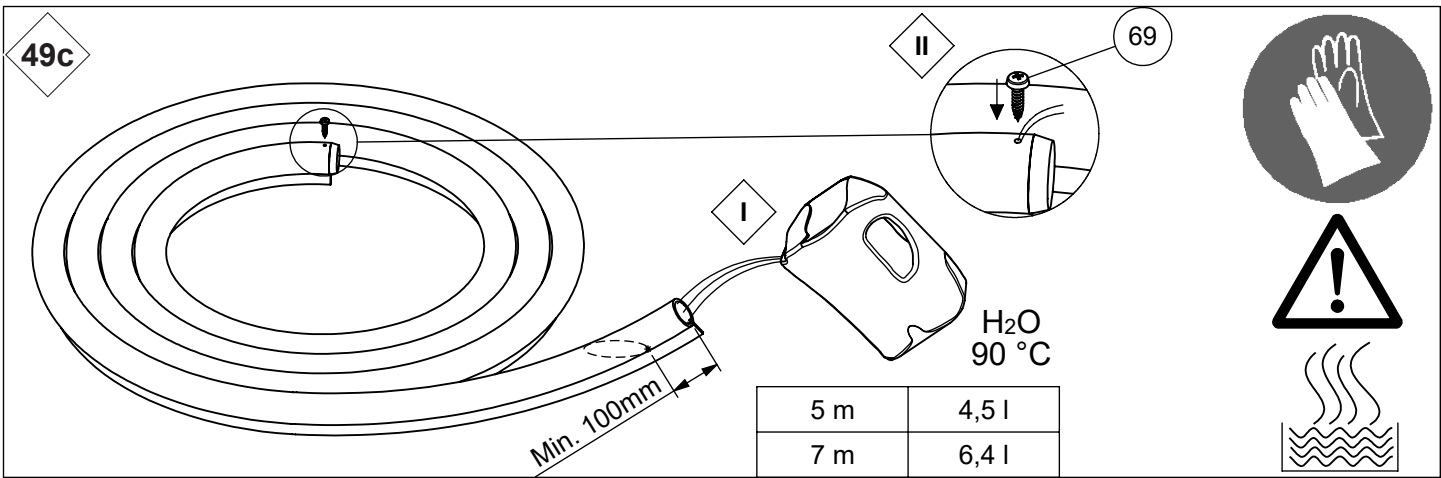
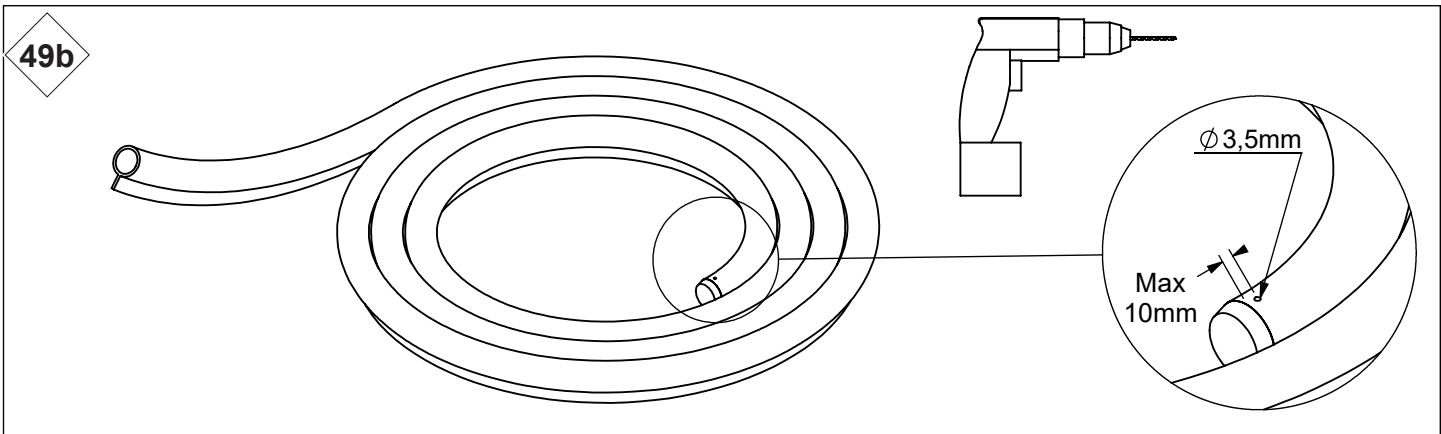
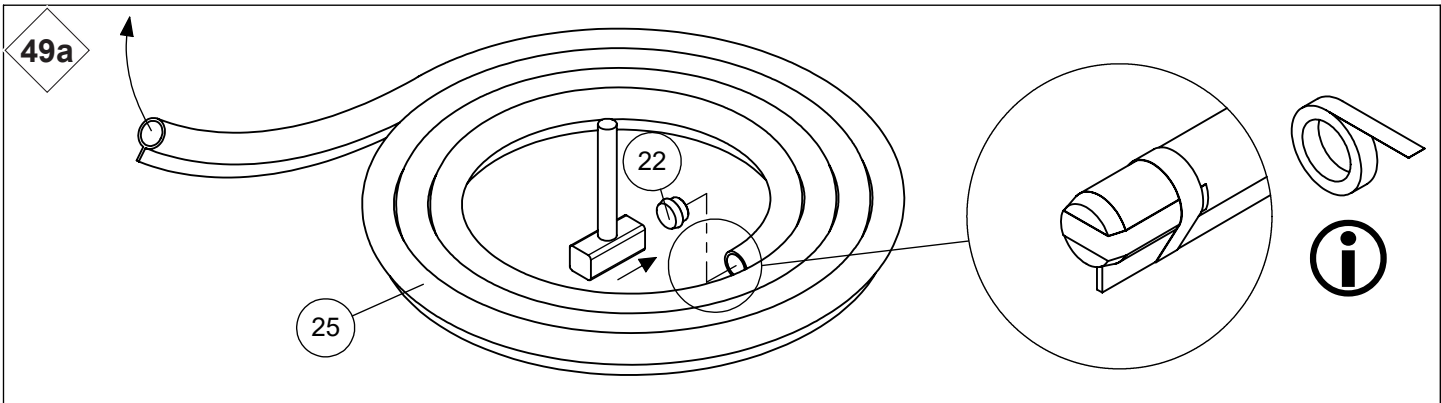
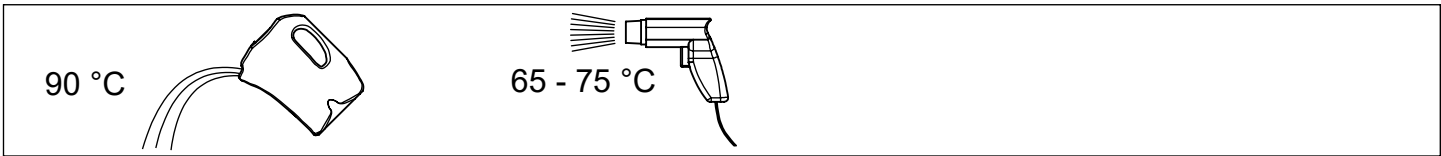
45

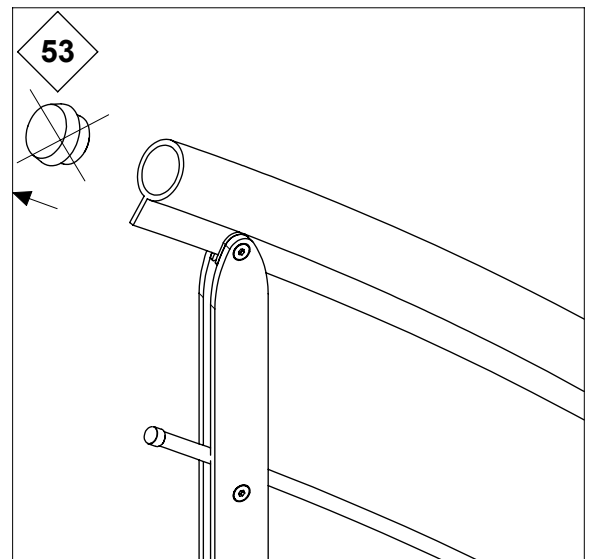
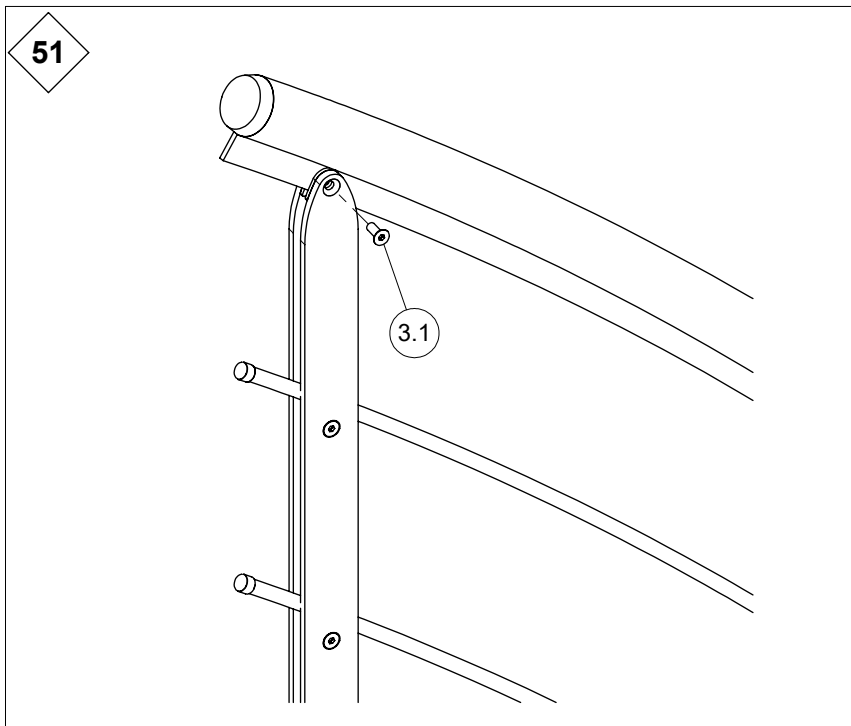
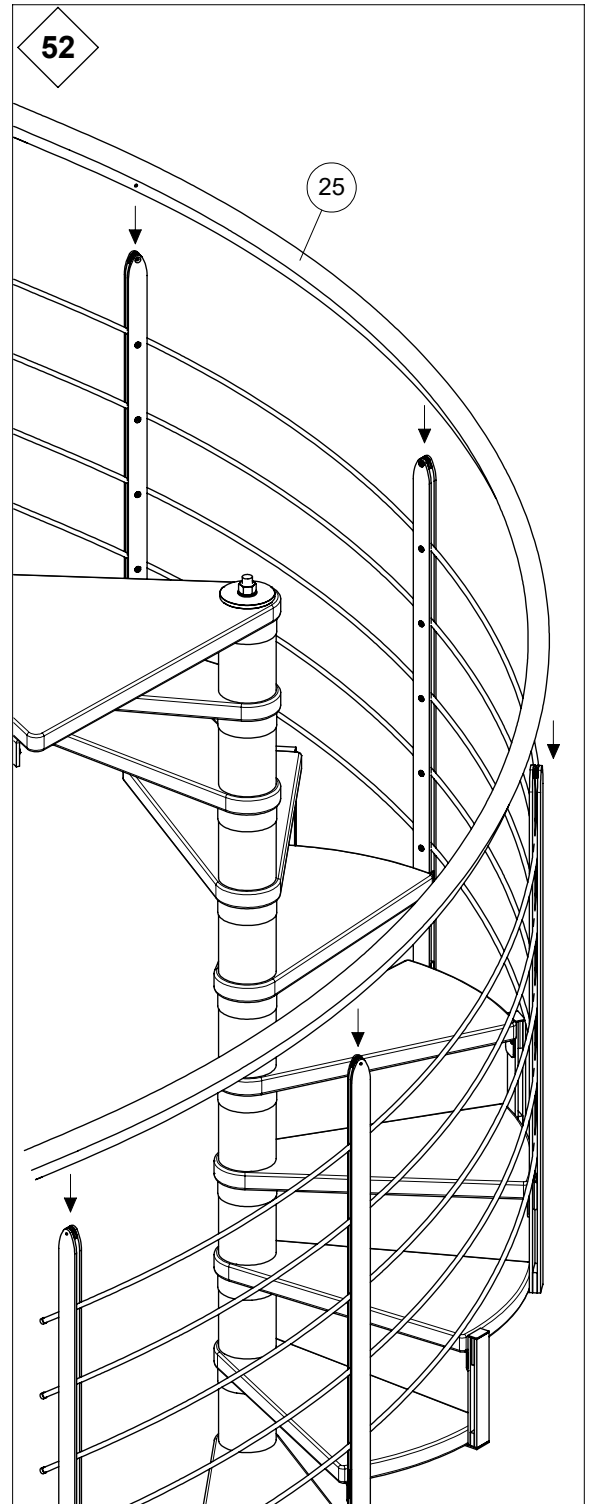
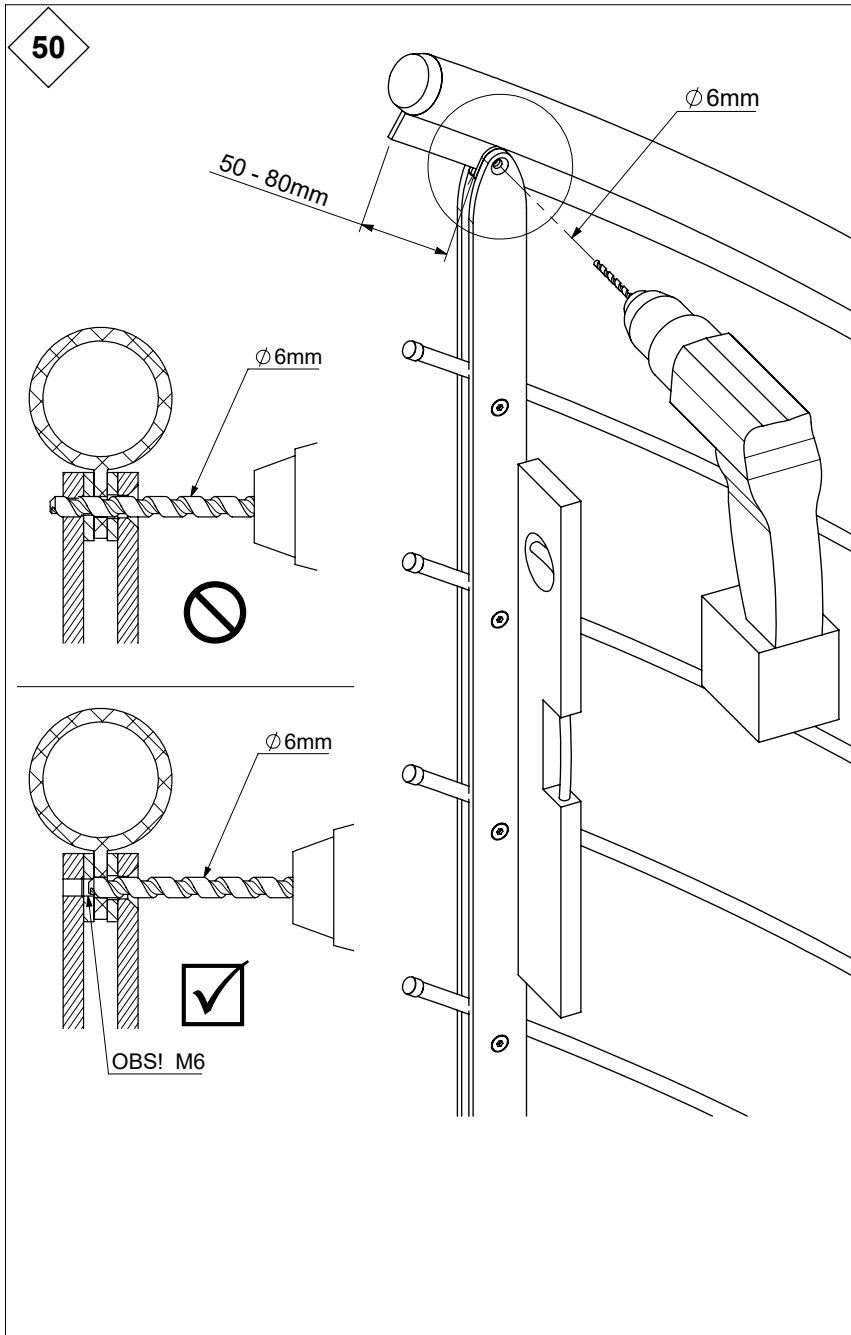


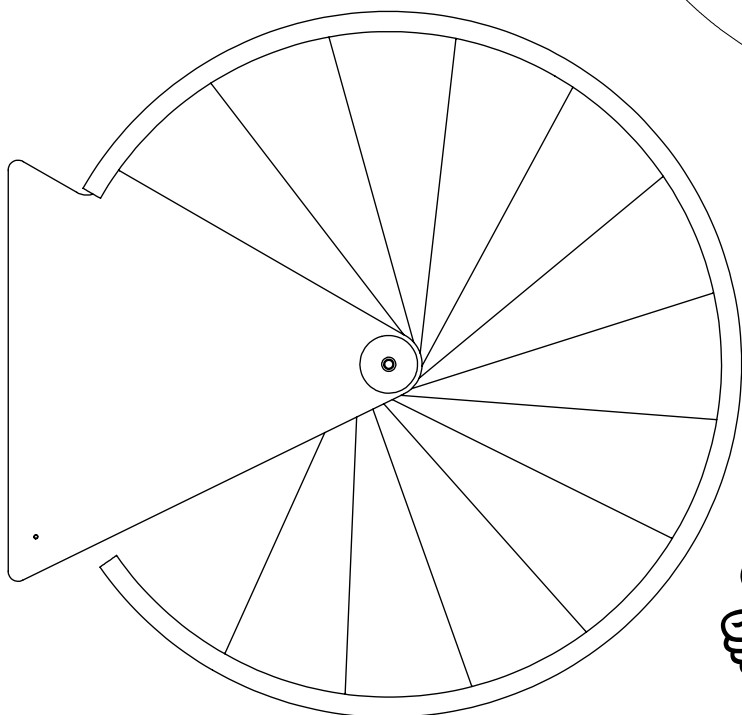
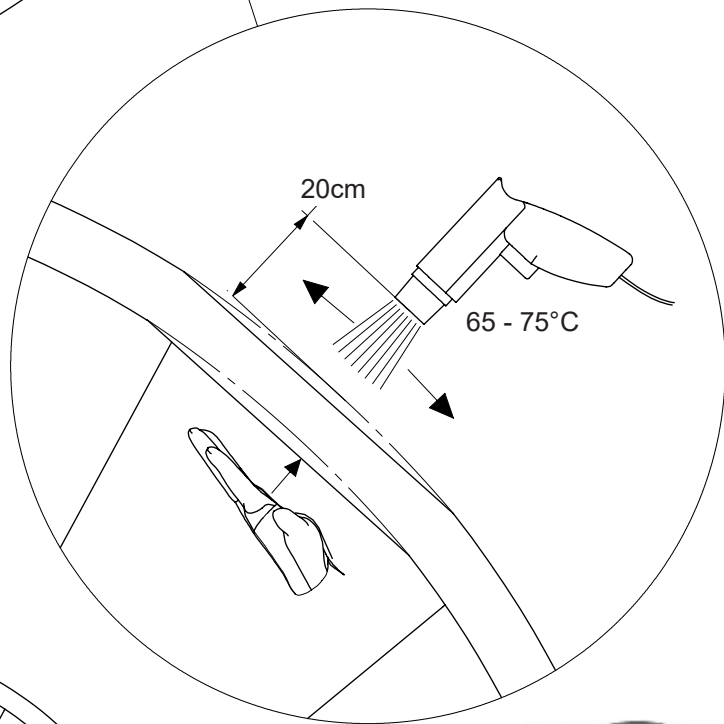
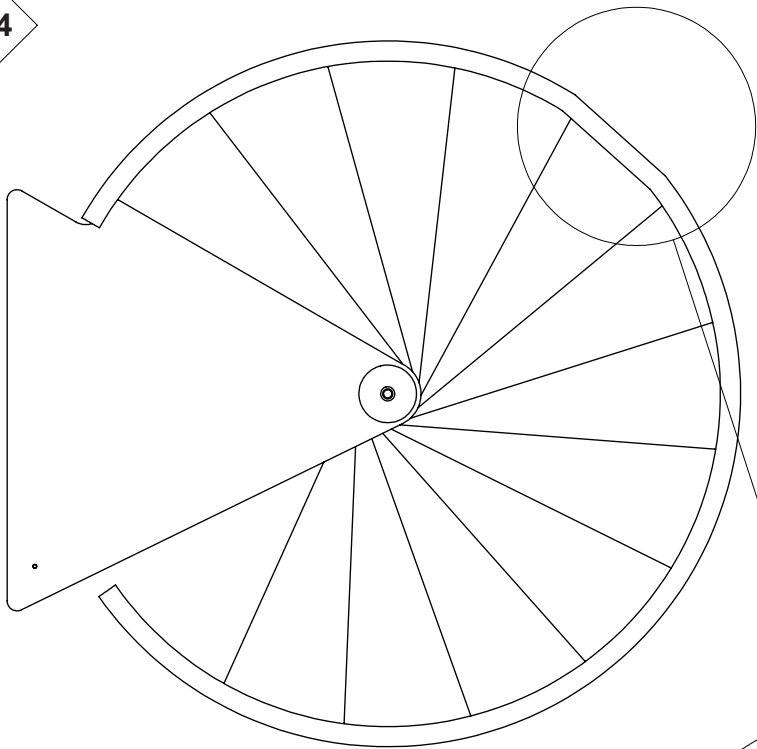
46



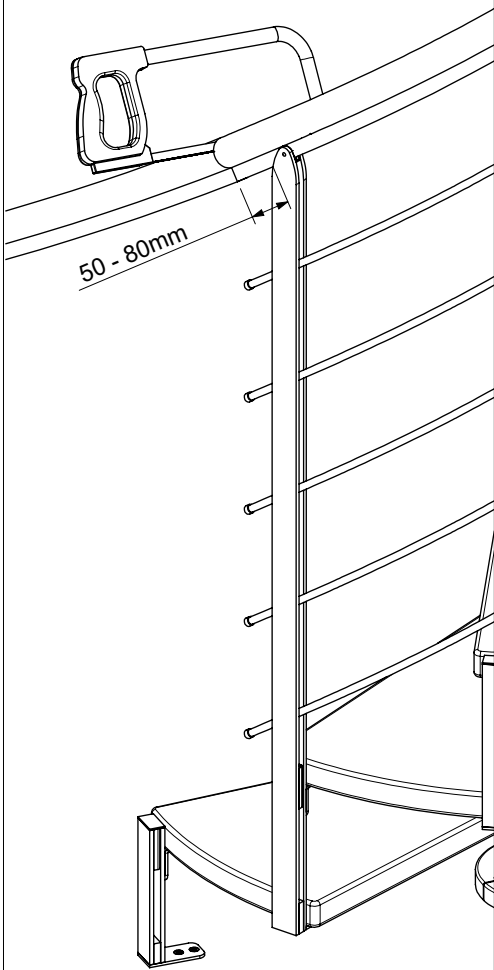




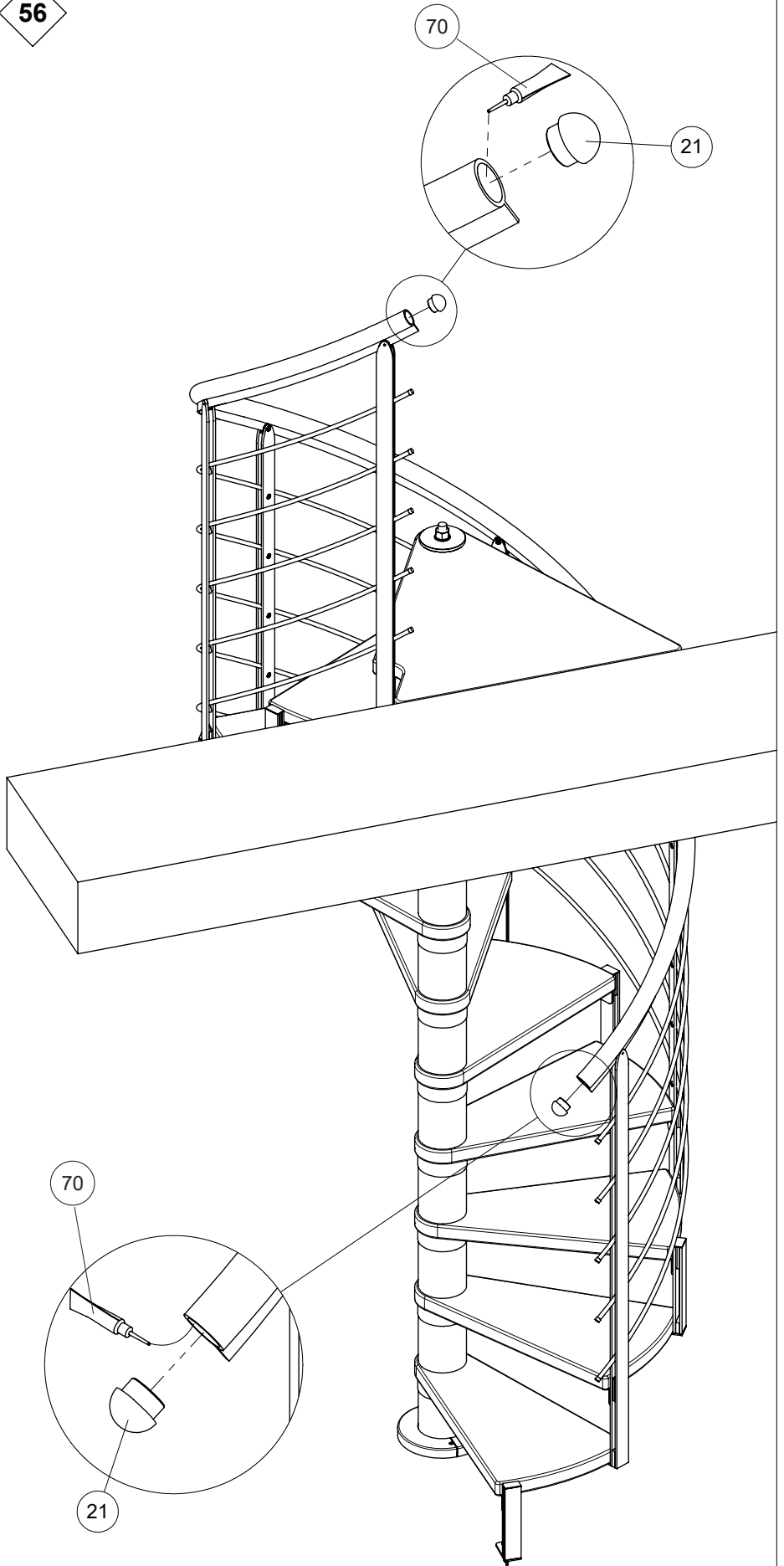


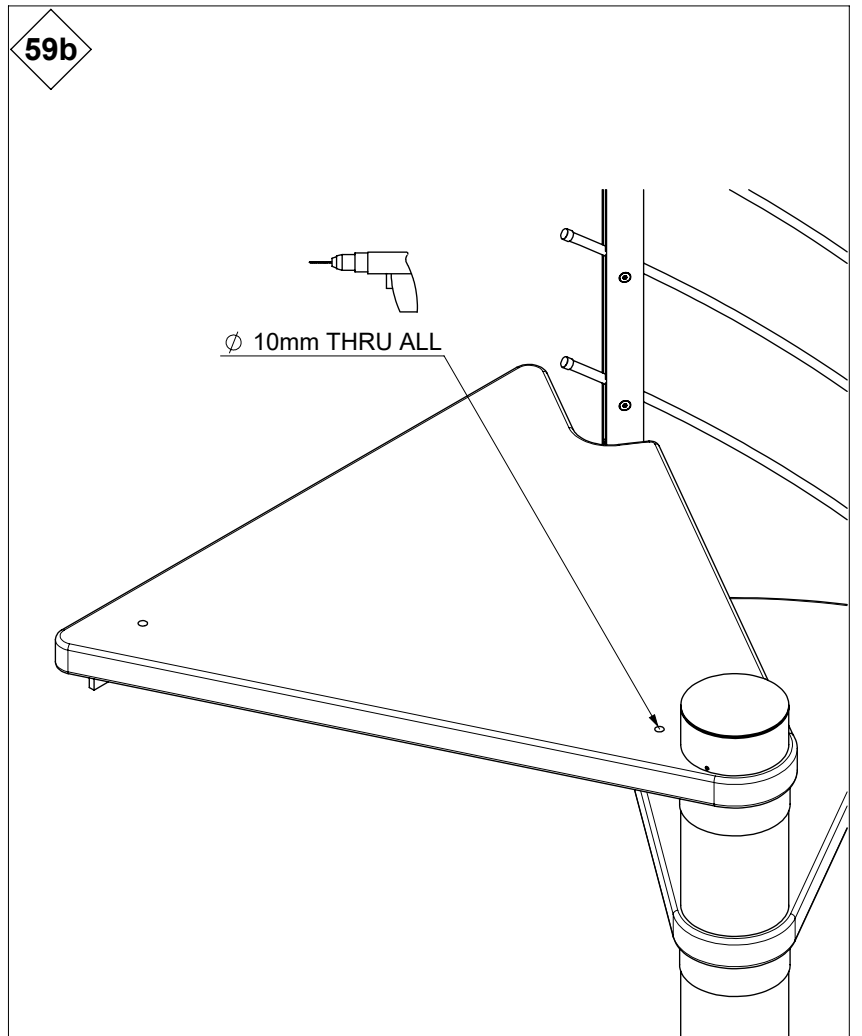
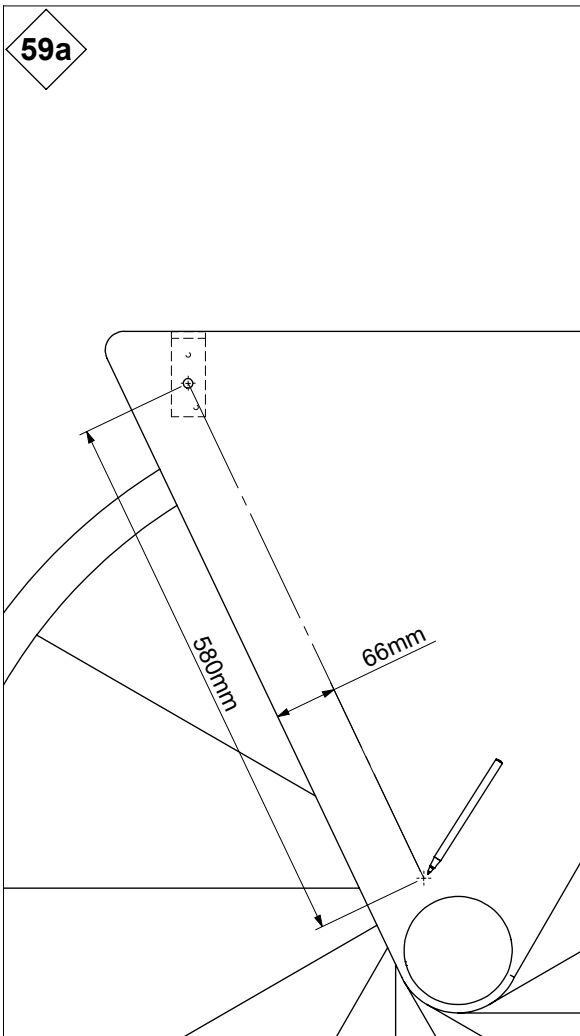
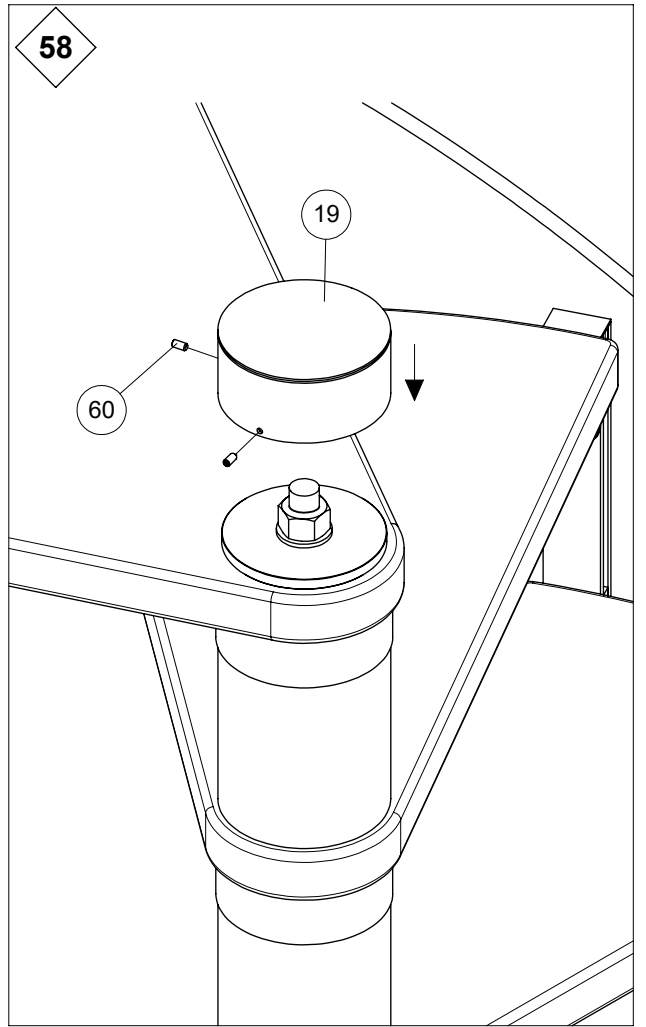
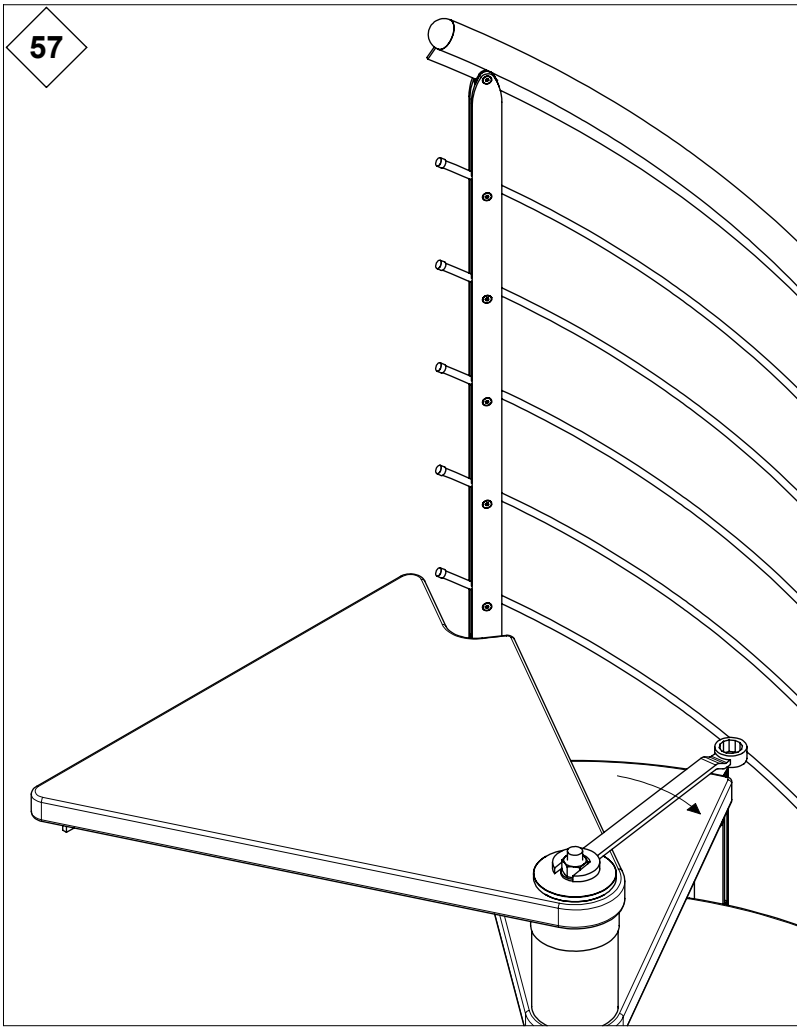


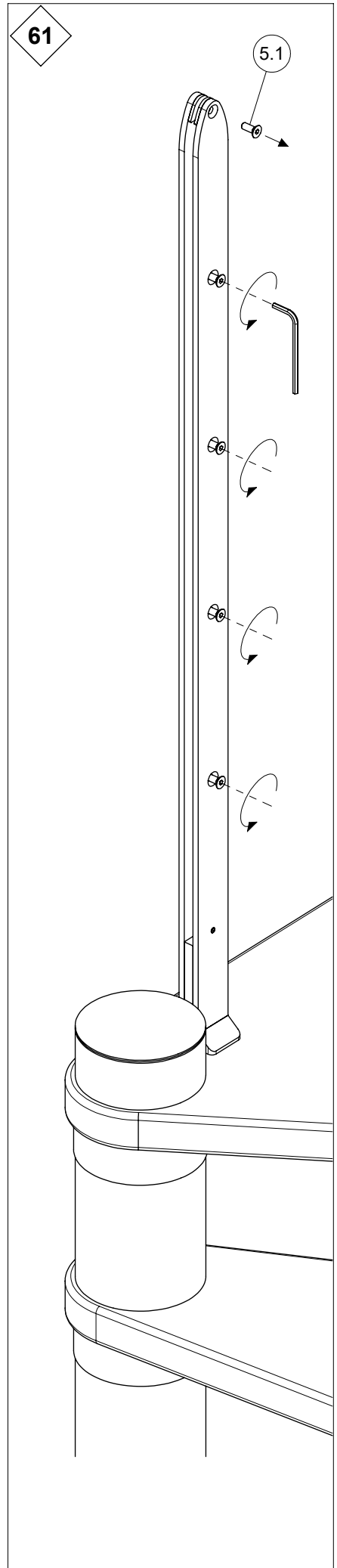
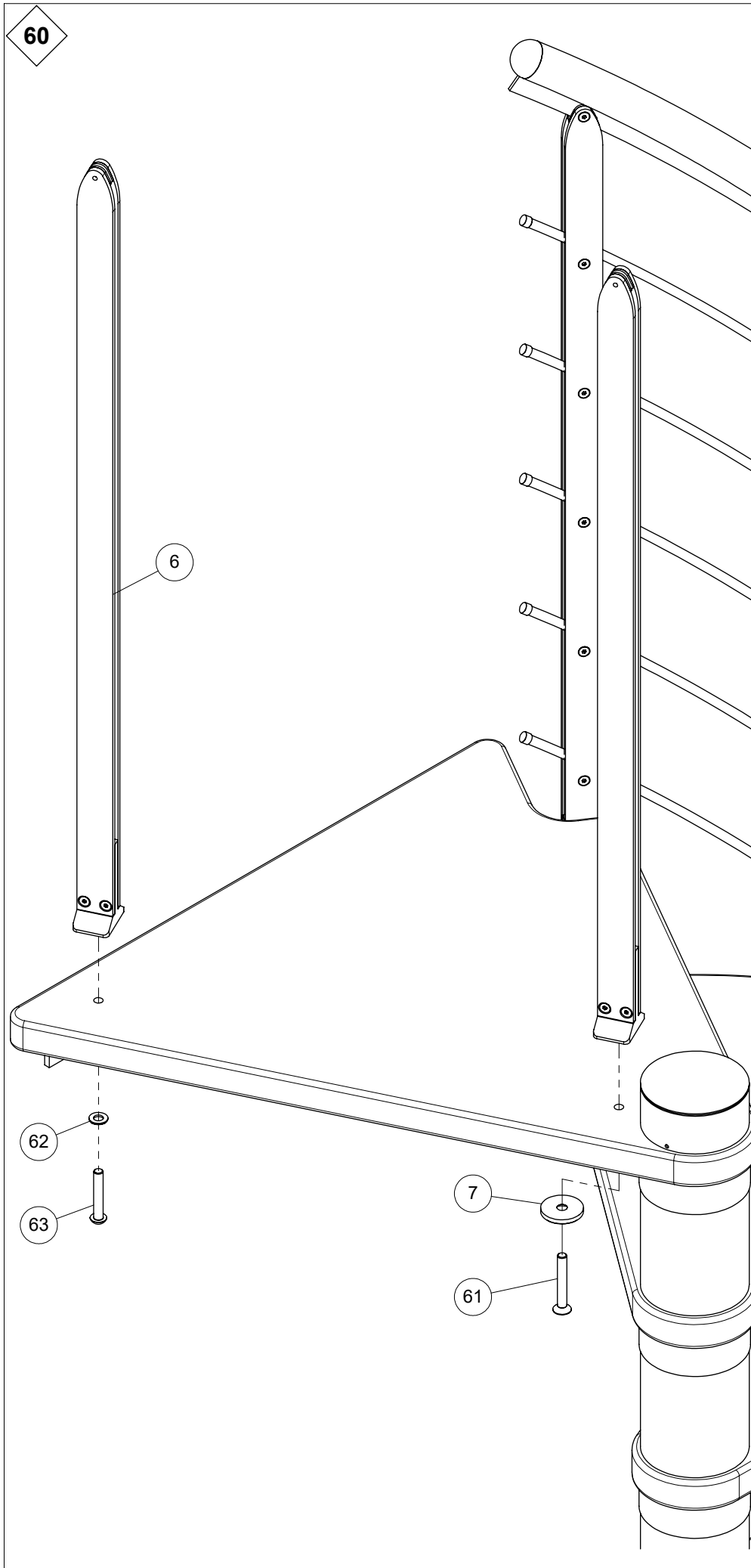
55



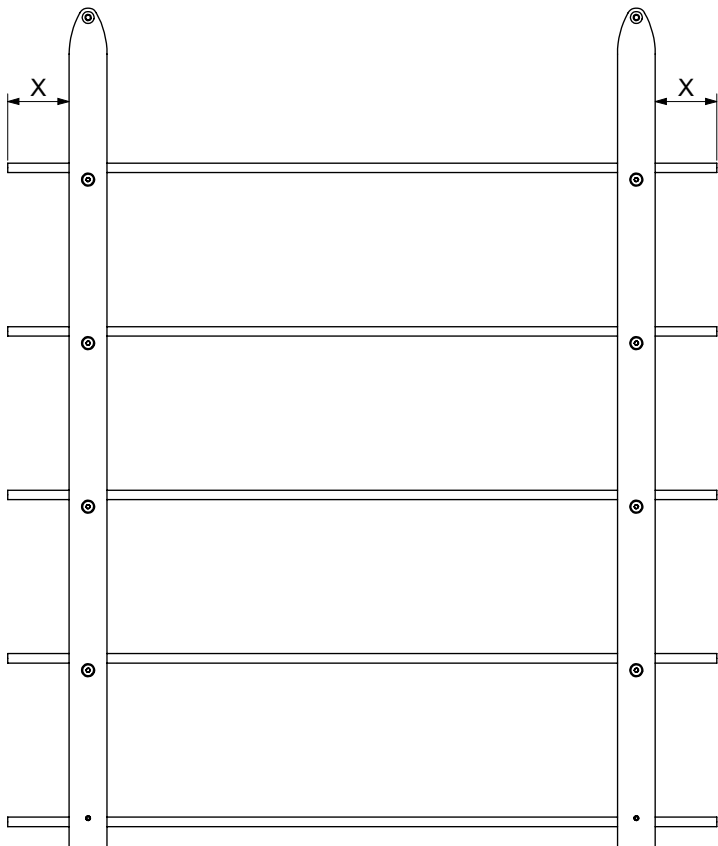
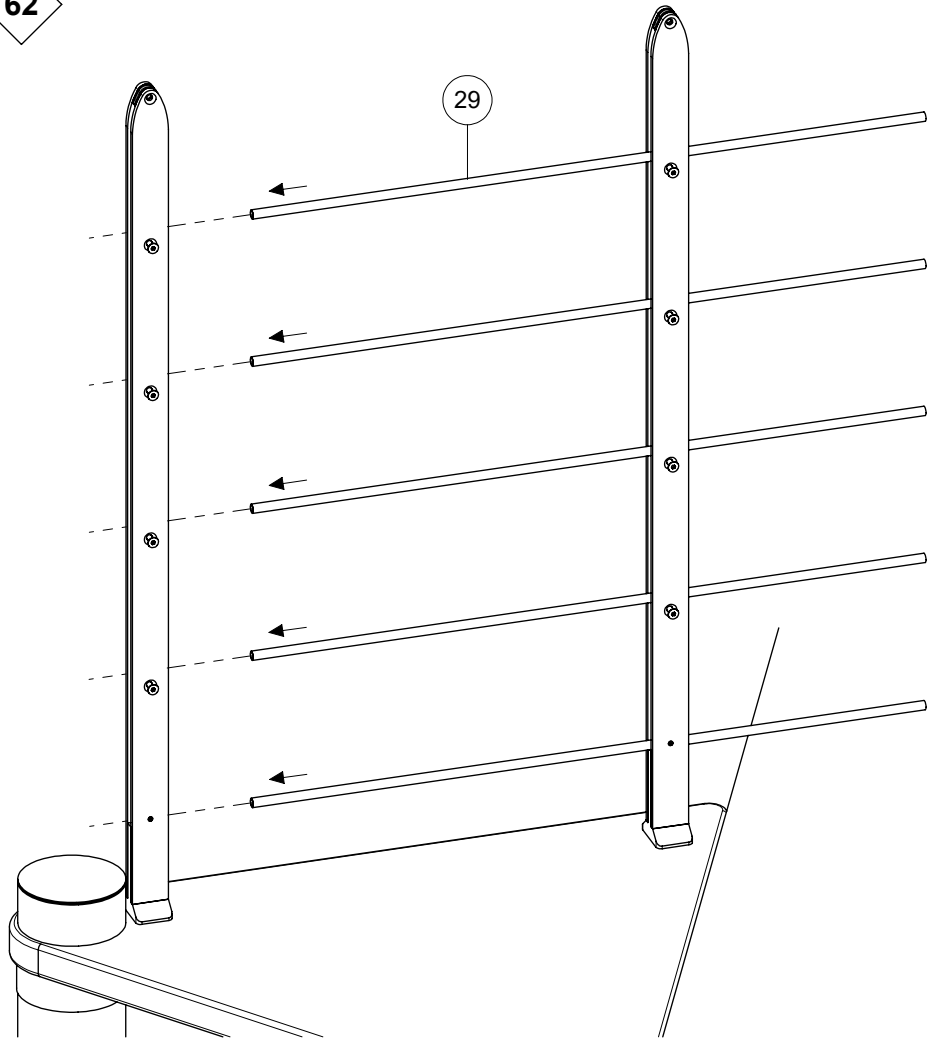
56



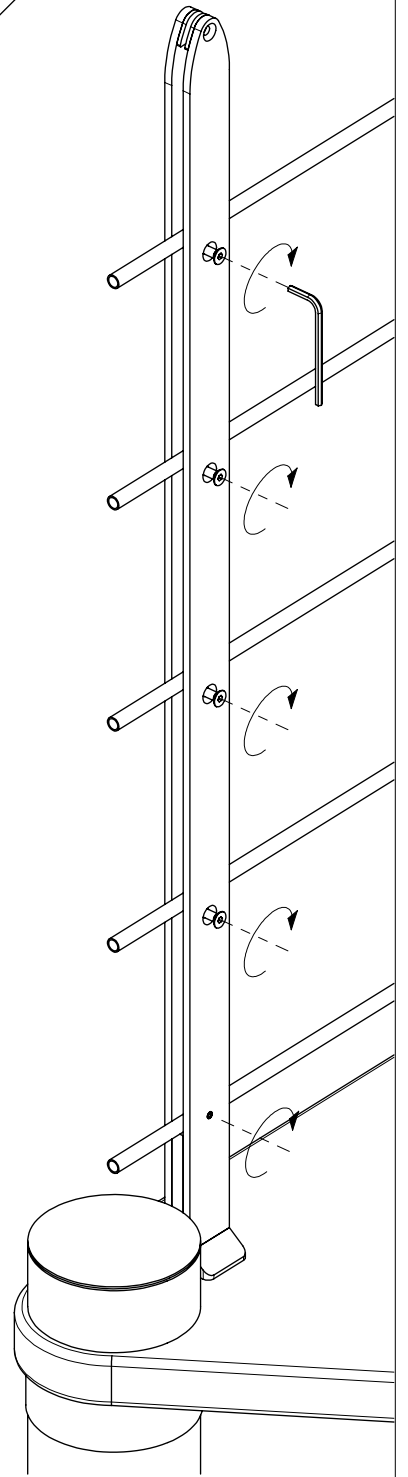




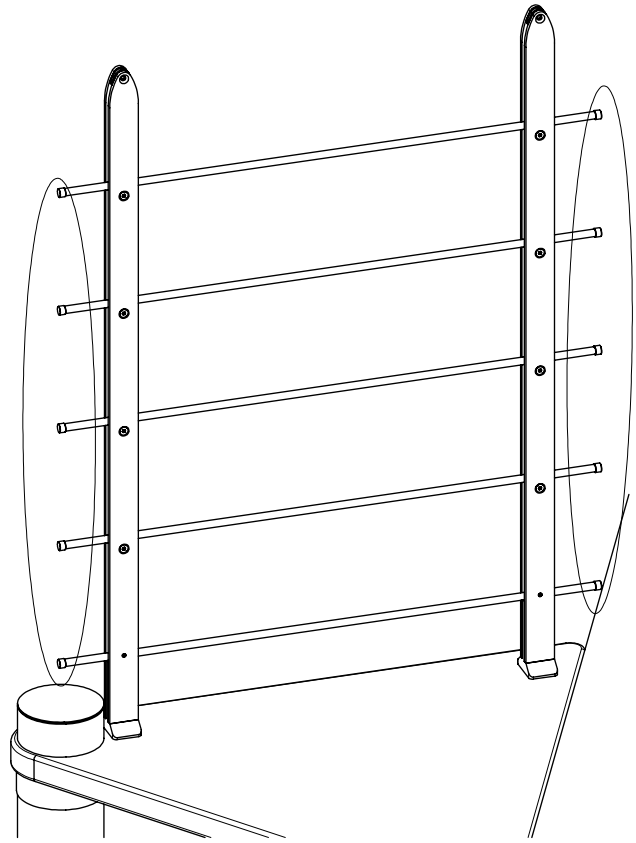
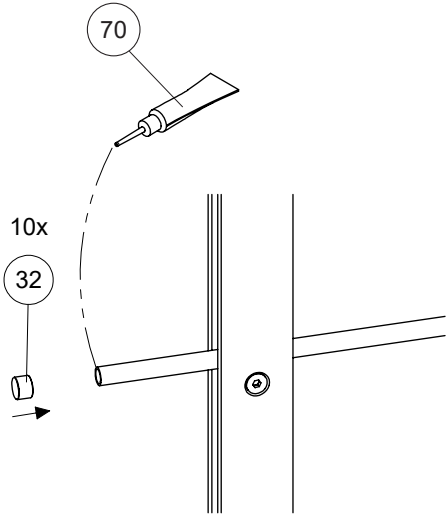
62



63



64



65

